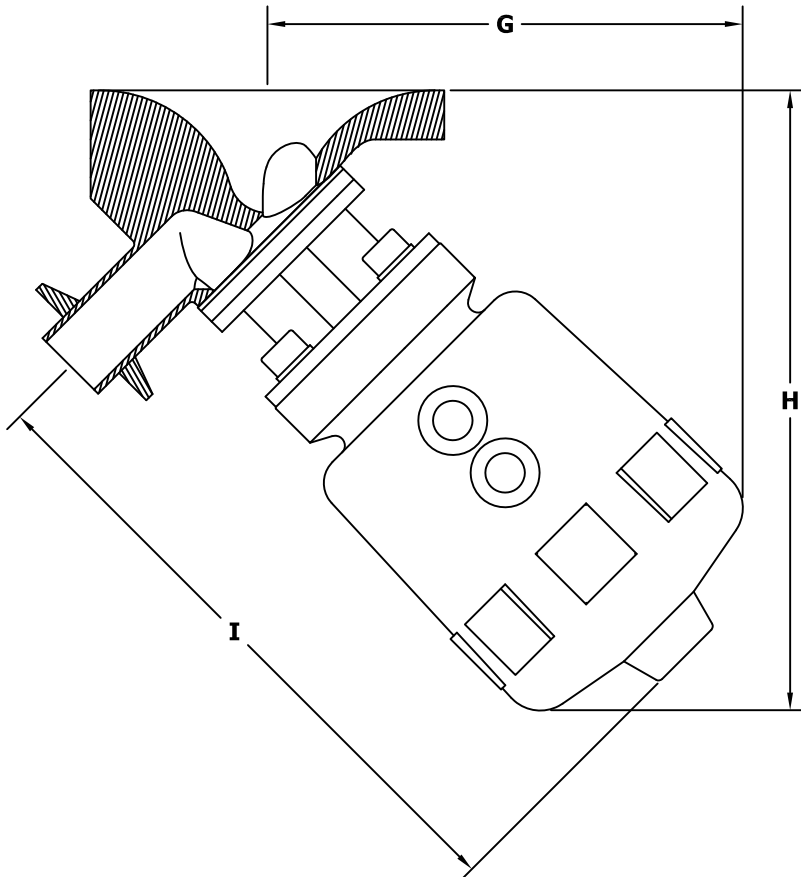
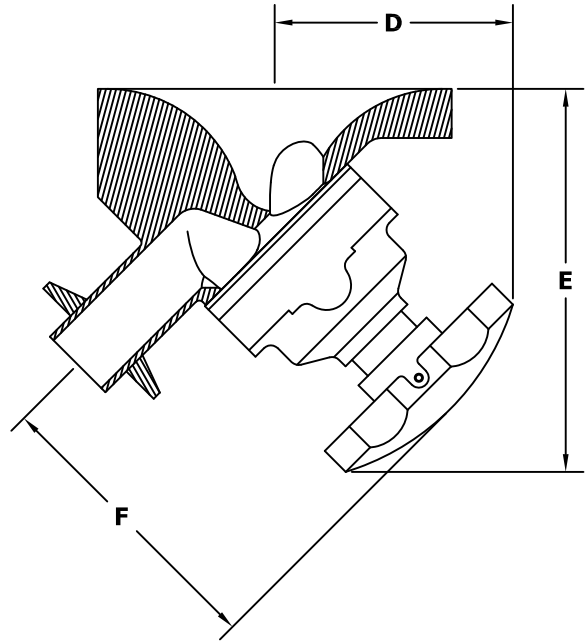
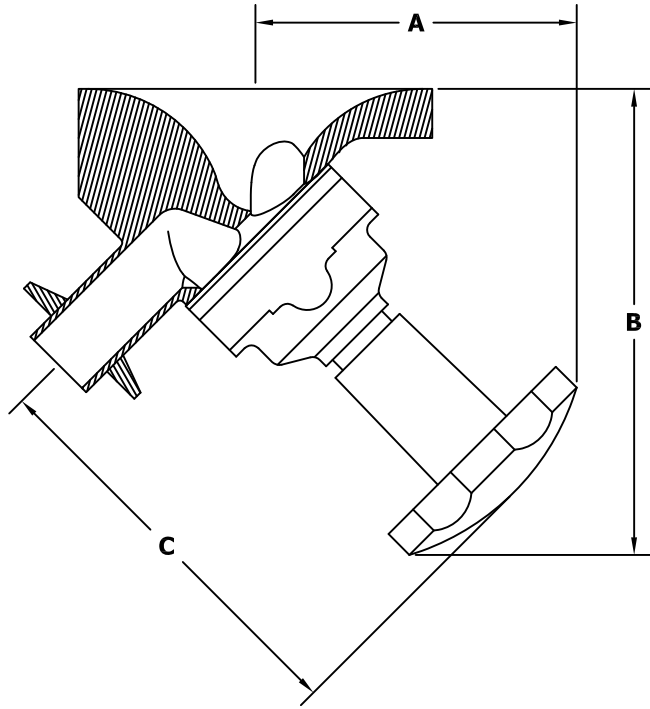


VALVE OUTLET SIZE	"09" BONNET - A -	"09" BONNET - B -	"09" BONNET - C -	"12" BONNET - D -	"12" BONNET - E -	"12" BONNET - F -	FAIL CLOSE ACTUATOR - G -	FAIL CLOSE ACTUATOR - H -	FAIL CLOSE ACTUATOR - I -	ACTUATOR SERIES
1/2"	3.57	5.00	4.47	2.91	4.32	3.38	4.70	6.13	6.43	50
3/4"	3.83	5.09	5.00	3.11	4.62	3.73	5.88	7.39	8.05	50
1"	4.09	5.35	5.69	3.37	5.18	4.20	6.04	7.85	8.28	50
1 1/2"	6.57	8.92	8.47	5.36	7.57	6.40	9.28	11.47	12.33	50
2"	7.44	9.94	9.88	5.93	8.37	7.50	9.35	11.84	12.78	50
3"	7.99	11.76	10.00	-	-	-	12.34	16.36	15.71	50
4"	9.84	14.87	13.63	-	-	-	12.62	17.33	16.11	50



Top Line		TITLE:	
THIS DRAWING AND ALL ASSOCIATED DOCUMENTATION IS THE CONFIDENTIAL PROPERTY OF TOPLINE PROCESS EQUIPMENT COMPANY AND DUPLICATION IN PART OR WHOLE WITHOUT THE PRIOR WRITTEN AUTHORIZATION OF TOPLINE PROCESS EQUIPMENT COMPANY IS STRICTLY PROHIBITED.		Zero DL 45° Tank Bottom Valves Topworks Dimensions	
DWN BY: WJB	DATE: 09-12-2011		
APPROVED: BDG	DATE: 09-12-2011		
REVISED BY:	DATE:		
ALL DIMENSIONS ARE IN INCHES UNLESS OTHERWISE NOTED	SIZE A	DWG NO :	SHEET: 1 OF 1
PROJECTION: THIRD ANGLE	SCALE N/A	ZDLTBTWTBL-1	REV 0