

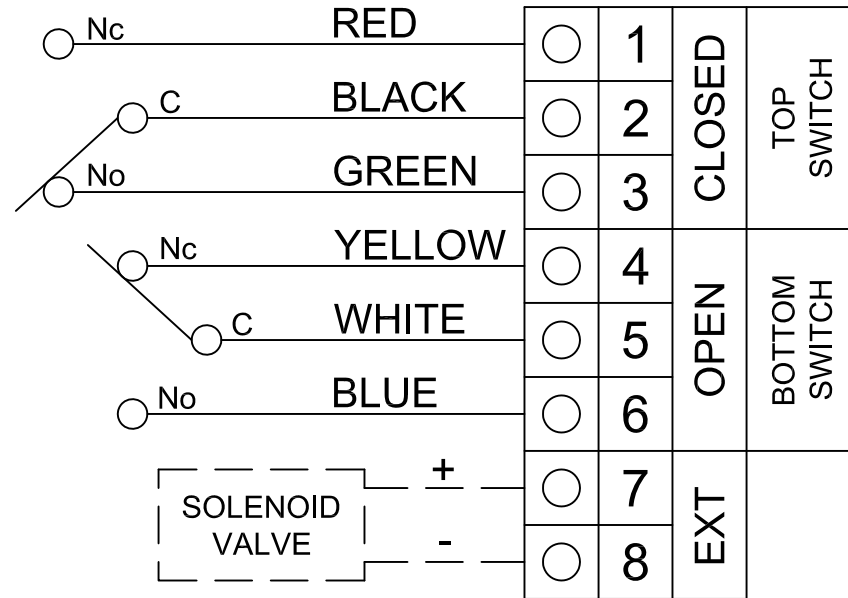
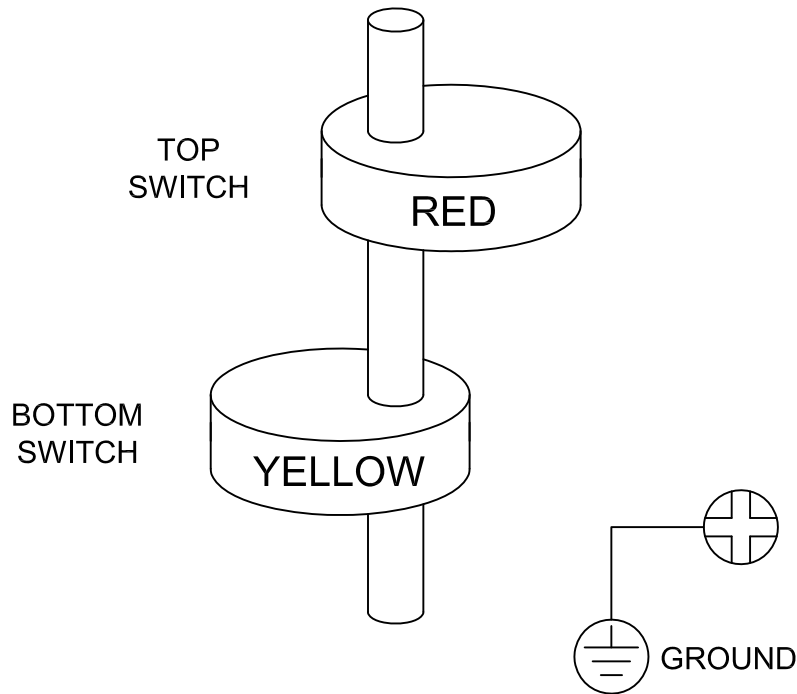
WIRING DIAGRAM - (2) SPDT MECHANICAL

-- TOP LINE MODEL NUMBERS --

ALS-200-M2-Y90-SS

ALS-200-M2-L-SS

ALS-200-M2-T-SS



HONEYWELL SPDT MICROSWITCH
SWITCH RATING:
5A @ 125VAC / 3A @ 250VAC
4A @ 30VDC / 0.4A @ 125VDC

Top Line PROCESS EQUIPMENT COMPANY THIS DRAWING AND ALL ASSOCIATED DOCUMENTATION IS THE CONFIDENTIAL PROPERTY OF TOPLINE PROCESS EQUIPMENT COMPANY AND DUPLICATION IN PART OR WHOLE WITHOUT THE PRIOR WRITTEN AUTHORIZATION OF TOPLINE PROCESS EQUIPMENT COMPANY IS STRICTLY PROHIBITED.	TITLE:		ALS SERIES - M2 MECHANICAL WIRING DIAGRAM	
	DWN BY: BDG	DATE: 10-22-2014		
	APPROVED: TWN	DATE: 10-22-2014		
	REVISED BY:	DATE:		
ALL DIMENSIONS ARE IN INCHES UNLESS OTHERWISE NOTED	SIZE A	DWG NO :		SHEET: 1 OF 1
PROJECTION: THIRD ANGLE	SCALE N/A	WD-ALS-M2		REV 0