

# TOP-FLO® Value Butterfly Valve

TOP-FLO® value style manual butterfly valves provide unsurpassed quality in a less expensive and easy to use configuration. Ideally suited for both the beer and wine industries, the value style can also be used for other process lines within the food, dairy, and beverage industries.

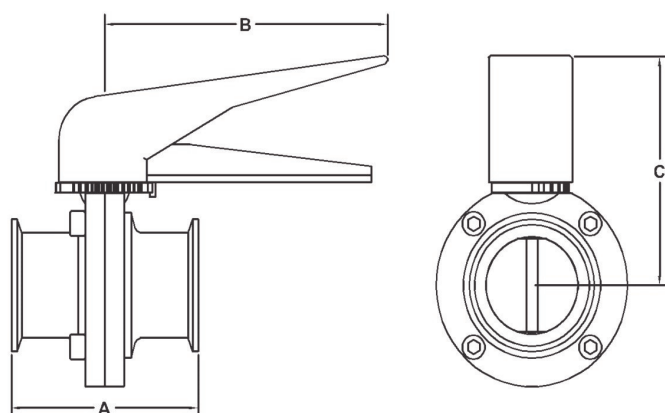
## Features:

- Lightweight thermoplastic handle SS trigger
- 316L construction for added corrosion resistance
- FDA EPDM seal to withstand elevated temperatures and chemical attack
- Plastic stem bushings provide smooth operation
- ID surface finish meets or exceeds 3-A requirements



## Mechanical Specifications:

- Sizes: 1", 1-1/2", 2", 2-1/2", 3", 4"
- Connections: Clamp end only
- Handle: 12-position trigger type
- Material: 316L (Body & Disc)
- Seal: FDA conforming EPDM
- Pressure Rating: 100PSI @ 68°F  
(7bar @ 20°C)
- Temperature: 15°F - 194°F  
(-10° C - 90°C)



Size	A	B	C	Seal Material	316L Stock No.
1	2.60	5.75	3.50	EPDM	3830110EPM12
1-1/2	2.60	5.75	3.50	EPDM	3830115EPM12
2	2.76	5.75	3.75	EPDM	3830120EPM12
2-1/2	3.15	5.75	4.00	EPDM	3830125EPM12
3	3.15	5.75	4.50	EPDM	3830130EPM12
4	3.46	5.75	5.25	EPDM	3830140EPM12