



## Bevel Seat Fittings



Stainless Steel Flow Control Equipment for the  
Food, Beverage, Dairy, Cosmetics, Biotechnology,  
Pharmaceutical and Electronics Processing Industries

[www.toplineonline.com](http://www.toplineonline.com)

# Bevel Seat Fittings



Top Line precision crafted Bevel Seat ACME Thread Union Fittings provide fast, sanitary and secure connections. Polished fittings meet or exceed FDA and 3-A regulatory standards.

## Bevel Seat Specifications

- Size Range: 1" OD through 4" OD
- Materials: 304 (Stock No. Prefix 34)  
316L (Stock No. Prefix 36)
- Finish: No. 7 – ID and OD (standard)

## Ordering Specifications

- Specify:
- Quantity
  - Size
  - Product Description
  - Stock Number
  - Material Type
  - Polish Requirements

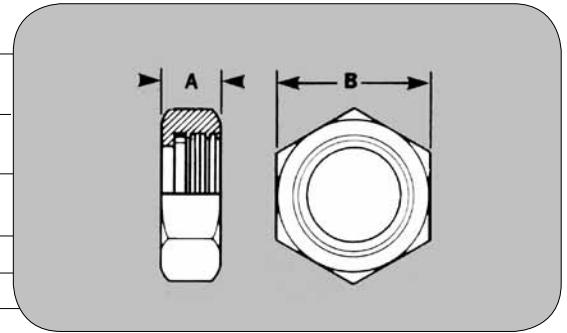
Cataloged part numbers are for Type 304 Stainless Steel

## Example

Quantity	Size	Product Description	Stock Number	Material Type	Polish
↓	↓	↓	↓	↓	↓
<u>3 Each</u>	<u>2"</u>	<u>2C-90°</u>	<u>343520C</u>	<u>Type 304</u>	<u>No. 7</u>
<u>3 Each</u>	<u>2"</u>	<u>2C-90°</u>	<u>363520C</u>	<u>Type 316L</u>	<u>No. 7</u>

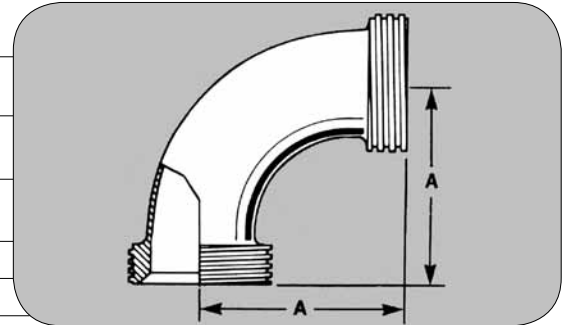
### 13H-HEX UNION NUT (3-A)

SIZE (TUBE O.D.)	A	B	STOCK NO.
1	29/32	1-13/16	346510
1-1/2	31/32	2 -13/32	346515
2	1-1/16	3	346520
2-1/2	1-3/16	3-19/32	346525
3	1-9/32	4 -3/16	346530
4	1-1/2	5-7/16	346540



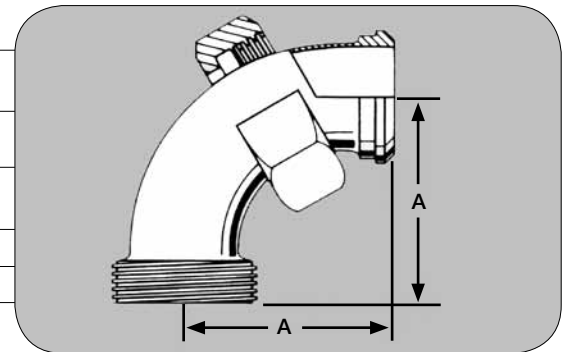
### 2C-90° SWEEP ELL (3-A)

SIZE (TUBE O.D.)	A	STOCK NO.
1	2-3/16	343510C
1-1/2	2-31/32	343515C
2	3-23/32	343520C
2-1/2	4-27/32	343525C
3	5-29/32	343530C
4	8-1/16	343540C



### 2F-90° SWEEP ELL (3-A)

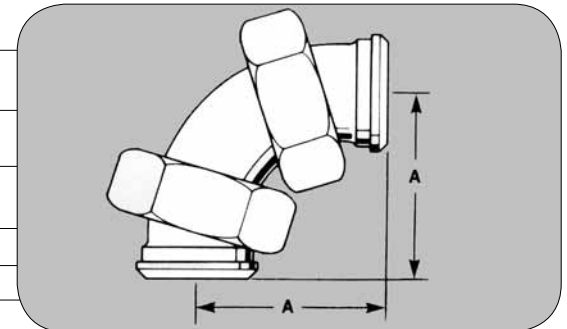
SIZE (TUBE O.D.)	A	STOCK NO.
1	2-3/16	343510F
1-1/2	2-31/32	343515F
2	3-23/32	343520F
2-1/2	4-27/32	343525F
3	5-29/32	343530F
4	8-1/16	343540F



HEX NUT INCLUDED

### 2E-90° SWEEP ELL (3-A)

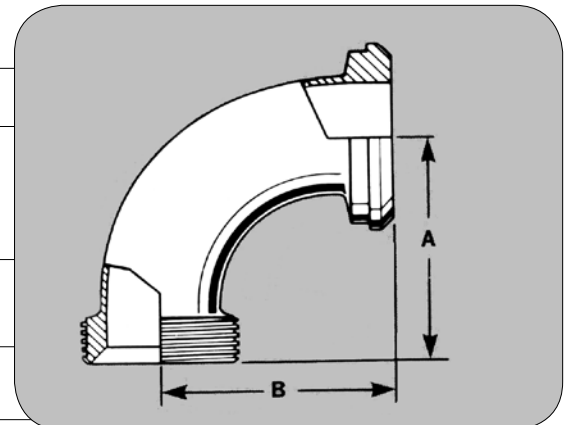
SIZE (TUBE O.D.)	A	STOCK NO.
1	2-3/16	343510E
1-1/2	2-31/32	343515E
2	3-23/32	343520E
2-1/2	4-27/32	343525E
3	5-29/32	343530E
4	8-1/16	343540E

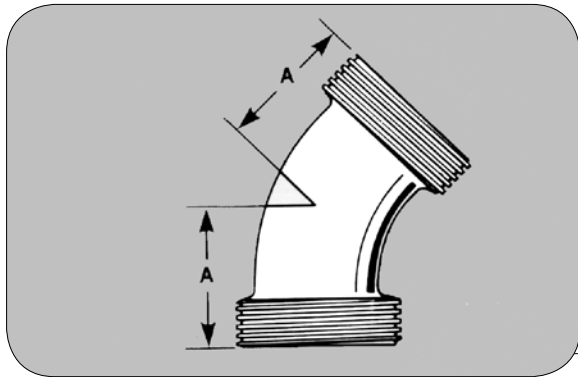


HEX NUTS INCLUDED

### 2F-31-90° CONCENTRIC REDUCING ELL (3-A)

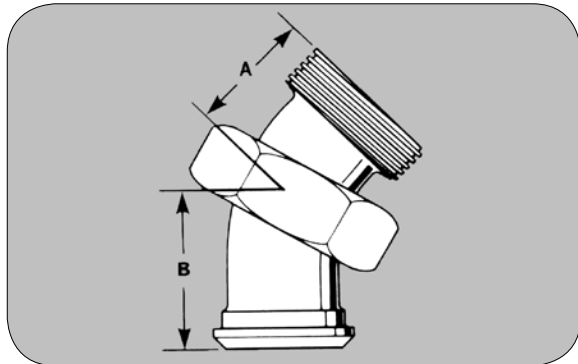
SIZE (TUBE O.D.)	A	B	STOCK NO.
1-1/2 X 1	2-3/16	1-15/16	343615
2 X 1	2-3/16	2-1/16	343620
2 X 1-1/2	2-31/32	2-13/16	343620A
2-1/2 X 1-1/2	2-31/32	2-13/16	343625
2-1/2 X 2	3-23/32	3-9/16	343625A
3 X 1-1/2	2-31/32	2-15/16	343630
3 X 2	3-23/32	3-11/16	343630A
3 X 2-1/2	4-27/32	4-7/16	343630B
4 X 2-1/2	4-27/32	4-9/16	343640
4 X 3	5-29/32	5-5/16	343640A





2K-45° SWEEP ELL (3-A)

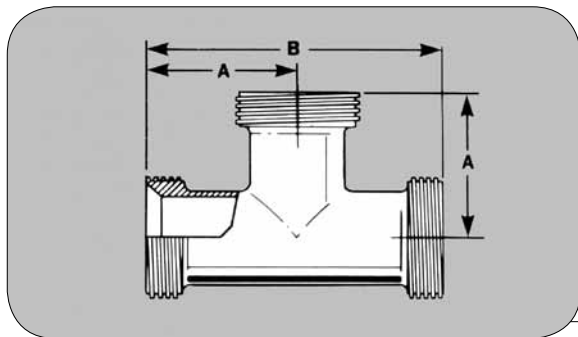
SIZE (TUBE O.D.)	A	STOCK NO.
1	1-5/16	343810
1-1/2	1-21/32	343815
2	2-1/8	343820
2-1/2	2-5/8	343825
3	3-1/8	343830
4	4-1/4	343840



2P-45° SWEEP ELL (3-A)

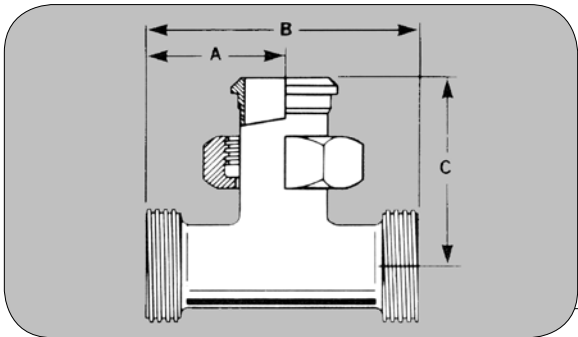
SIZE (TUBE O.D.)	A	B	STOCK NO.
1	1-5/16	2 -1/8	343910
1-1/2	1-21/32	2 -1/8	343915
2	2-1/8	2 -5/16	343920
2-1/2	2-5/8	2 -9/16	343925
3	3-1/8	2 -29/32	343930
4	4-1/4	3 -7/8	343940

HEX NUT INCLUDED



7 TEE (3-A)

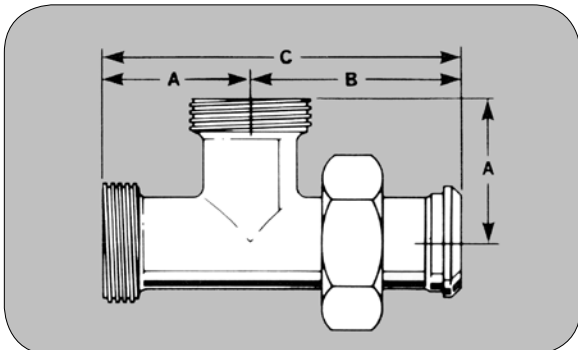
SIZE (TUBE O.D.)	A	B	STOCK NO.
1	1-13/16	3-5/8	344010
1-1/2	2-3/8	4-3/4	344015
2	2-25/32	5-9/16	344020
2-1/2	3-3/16	6-3/8	344025
3	3-1/2	7	344030
4	4-21/32	9-5/16	344040



7A TEE (3-A)

SIZE (TUBE O.D.)	A	B	C	STOCK NO.
1	1-13/16	3-5/8	2-11/16	344010A
1-1/2	2-3/8	4-3/4	3-13/32	344015A
2	2-25/32	5-9/16	3-13/16	344020A
2-1/2	3-3/16	6-3/8	4-1/4	344025A
3	3-1/2	7	4-5/8	344030A
4	4-21/32	9-5/16	6-1/8	344040A

HEX NUT INCLUDED



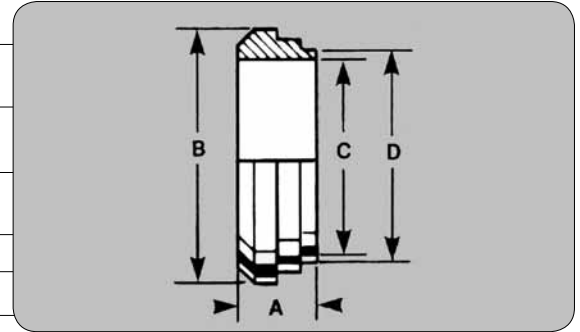
7B TEE (3-A)

SIZE (TUBE O.D.)	A	B	C	STOCK NO.
1	1-13/16	2-11/16	4-1/2	344010B
1-1/2	2-3/8	3-13/32	5-25/32	344015B
2	2-25/32	3-13/16	6-19/32	344020B
2-1/2	3-3/16	4-1/4	7-7/16	344025B
3	3-1/2	4-5/8	8-1/8	344030B
4	4-21/32	6-1/8	10-25/32	344040B

HEX NUT INCLUDED

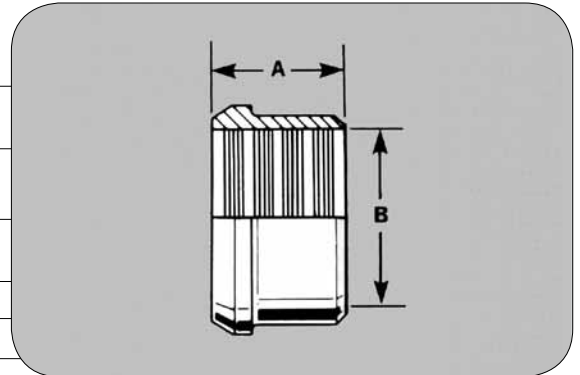
### 14PRF SHORT WELD FERRULE (3-A)

SIZE (TUBE O.D.)	A	B	C	D	STOCK NO.
1	11/16	1-5/16	.870	1	344110B
1-1/2	23/32	1-27/32	1.370	1-1/2	344115B
2	23/32	2-3/8	1.870	2	344120B
2-1/2	27/32	2-29/32	2.370	2-1/2	344125B
3	29/32	3-7/16	2.870	3	344130B
4	1-7/32	4-1/2	3.834	4	344140B



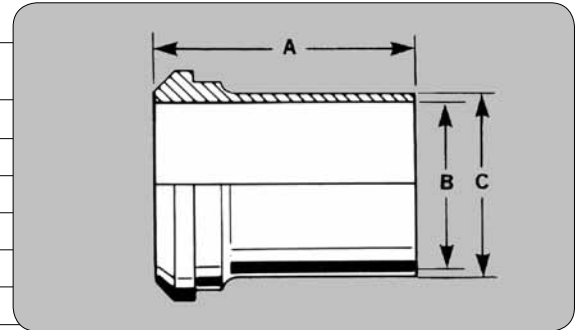
### 14R-PLAIN RECESSLESS FERRULE (3-A) (For Expanding)

SIZE (TUBE O.D.)	A	B	STOCK NO.
1	3/4	1	344110R
1-1/2	1-1/8	1-1/2	344115R
2	1-5/16	2	344120R
2-1/2	1-3/8	2-1/2	344125R
3	1-7/16	3	344130R
4	1-1/2	4	344140R



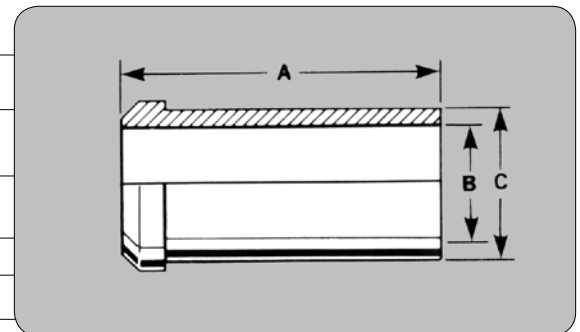
### L14A7-PLAIN TUBE FERRULE (3-A)

SIZE (TUBE O.D.)	A	B	C	STOCK NO.
1	1-3/8	.870	1	344110A
1-1/2	1-1/2	1.370	1-1/2	344115A
2	1-1/2	1.870	2	344120A
2-1/2	1-3/4	2.370	2-1/2	344125A
3	1-3/4	2.870	3	344130A
4	1-3/4	3.834	4	344140A



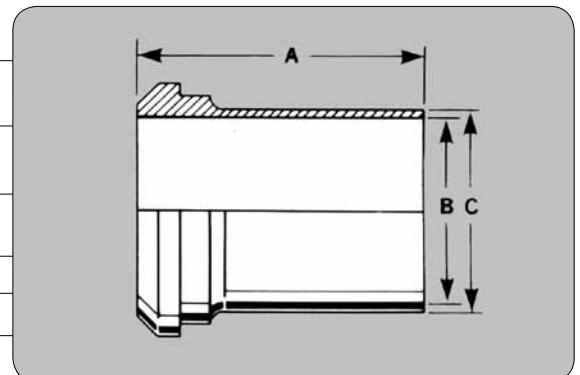
### 14W-PLAIN FERRULE, TANK SPUD (HEAVY) (3-A)

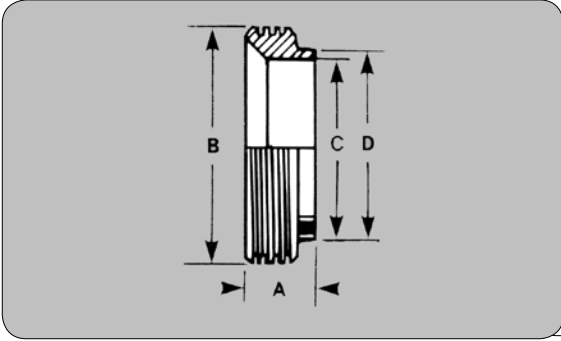
SIZE (TUBE O.D.)	A	B	C	STOCK NO.
1	2-3/8	.870	1-5/32	344110W
1-1/2	2-17/32	1.370	1-43/64	344115W
2	2-25/32	1.870	2-3/16	344120W
2-1/2	3-1/16	2.370	2-45/64	344125W
3	3-17/32	2.870	3-7/32	344130W
4	4-5/16	3.834	4-1/4	344140W



### 14WL-PLAIN FERRULE, TANK SPUD (LIGHT) (3-A)

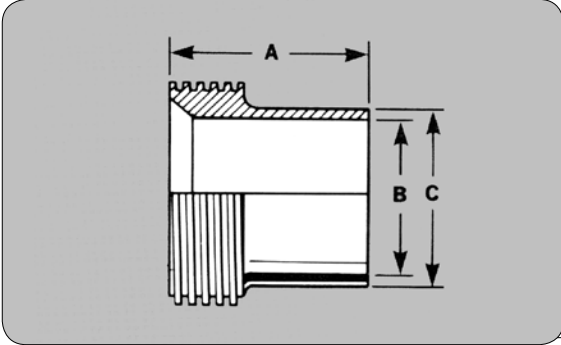
SIZE (TUBE O.D.)	A	B	C	STOCK NO.
1	2	.870	1	344110WL
1-1/2	2-1/4	1.370	1-1/24	344115WL
2	2-1/2	1.870	2	344120WL
2-1/2	2-3/4	2.370	2-1/2	344125WL
3	3	2.870	3	344130WL
4	4	3.834	4	344140WL





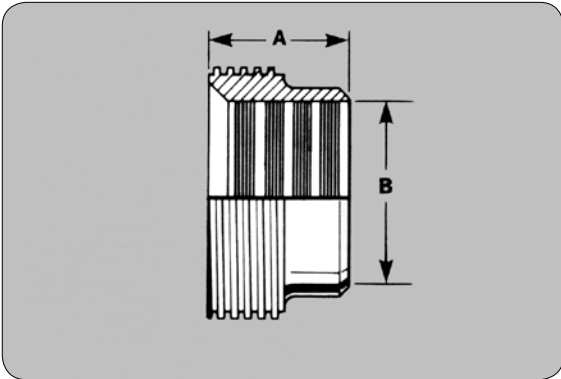
15TRF SHORT WELD FERRULE (3-A)

SIZE (TUBE O.D.)	A	B	C	D	STOCK NO.
1	11/16	1-29/32	.870	1	344210B
1-1/2	23/32	1-63/64	1.370	1-1/2	344215B
2	23/32	2-33/64	1.870	2	344220B
2-1/2	27/32	3-1/32	2.370	2-1/2	344225B
3	29/32	3-9/16	2.870	3	344230B
4	1-7/32	4-43/64	3.834	4	344240B



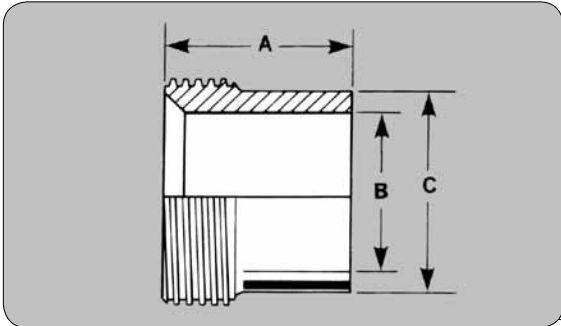
L15A7 THREADED TUBE FERRULE (3-A)

SIZE (TUBE O.D.)	A	B	C	STOCK NO.
1	1-3/8	.870	1	344210A
1-1/2	1-1/2	1.370	1-1/2	344215A
2	1-1/2	1.870	2	344220A
2-1/2	1-3/4	2.370	2-1/2	344225A
3	1-3/4	2.870	3	344230A
4	1-3/4	3.834	4	344240A



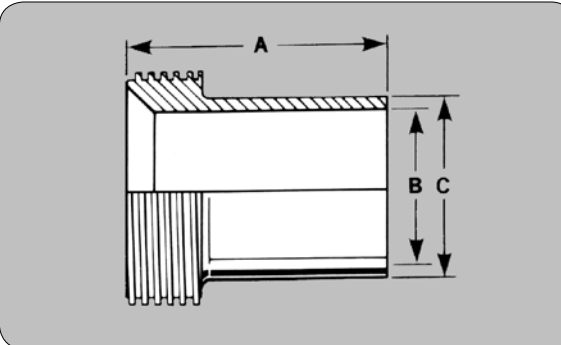
15R-THREADED RECESSLESS FERRULE (3-A)  
(For Expanding)

SIZE (TUBE O.D.)	A	B	STOCK NO.
1	13/16	1	344210R
1-1/2	1-1/8	1-1/2	344215R
2	1-3/8	2	344220R
2-1/2	1-1/2	2-1/2	344225R
3	1-5/8	3	344230R
4	1-5/8	4	344240R



15W-THREADED FERRULE, TANK SPUD (HEAVY) (3-A)

SIZE (TUBE O.D.)	A	B	C	STOCK NO.
1	1-1/2	.870	1-1/4	344210W
1-1/2	1-5/8	1.370	1-3/4	344215W
2	1-3/4	1.870	2-5/16	344220W
2-1/2	1-3/4	2.370	2-7/8	344225W
3	1-13/16	2.870	3-3/8	344230W
4	2-1/8	3.834	4-1/4	344240W

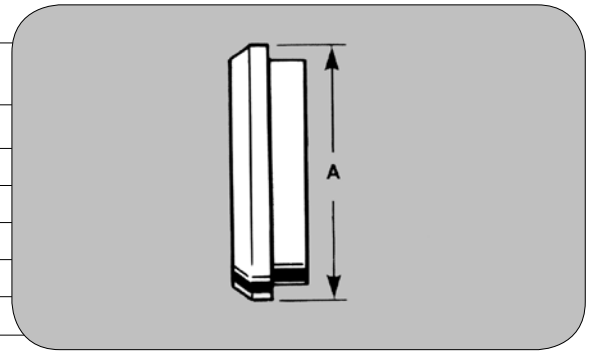


15WL-THREADED FERRULE, TANK SPUD (LIGHT) (3-A)

SIZE (TUBE O.D.)	A	B	C	STOCK NO.
1	2	.870	1	344210WL
1-1/2	2-1/4	1.370	1-1/2	344215WL
2	2-1/2	1.870	2	344220WL
2-1/2	2-3/4	2.370	2-1/2	344225WL
3	3	2.870	3	344230WL
4	4	3.834	4	344240WL

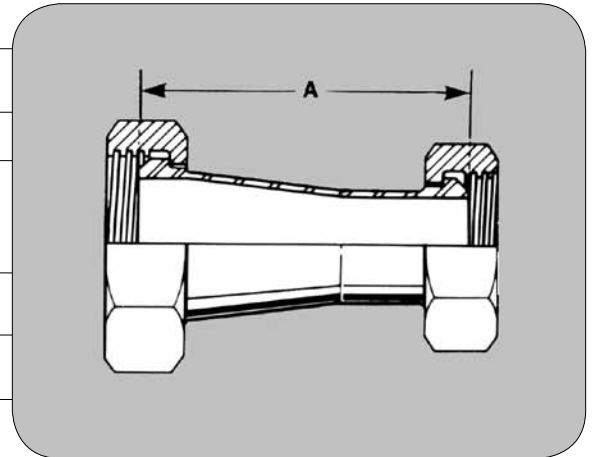
### 16A SOLID END CAP (3-A)

SIZE (TUBE O.D.)	A	STOCK NO.
1	1-5/16	346810
1-1/2	1-27/32	346815
2	2-3/8	346820
2-1/2	2-29/32	346825
3	3-7/16	368230
4	4-1/2	346840



### 31-14F-CONVERTING TAPER REDUCER (3-A)

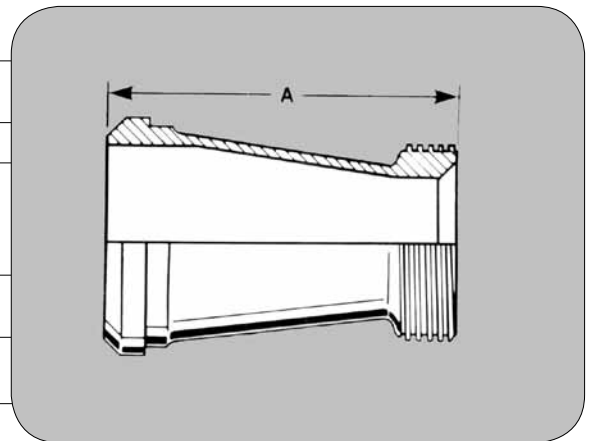
SIZE (TUBE O.D.)	A	STOCK NO.
1-1/2 X 1	4-3/32	344515
2 X 1	6-3/32	344520
2 X 1-1/2	4-7/32	344520A
2-1/2 X 1-1/2	6-11/32	344525
2-1/2 X 2	4-7/32	344525A
3 X 2	6-13/32	344530
3 X 2-1/2	4-19/32	344530A
4 X 2-1/2	8-31/32	344540
4 X 3	6-31/32	344540A



HEX NUTS INCLUDED

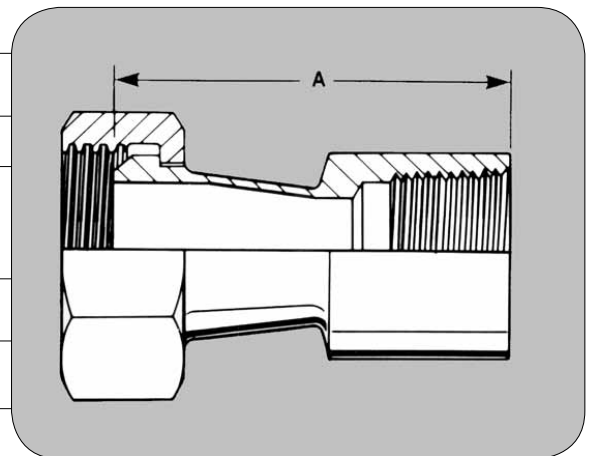
### 31-15F-CONCENTRIC TAPER REDUCER (3-A)

SIZE (TUBE O.D.)	A	STOCK NO.
1-1/2 X 1	3-13/32	344615
2 X 1	5-13/32	344620
2 X 1-1/2	3-7/16	344620A
2-1/2 X 1-1/2	5-9/16	344625
2-1/2 X 2	3-9/16	344625A
3 X 2	5-5/8	344630
3 X 2-1/2	3-3/4	344630A
4 X 2-1/2	8-1/16	344640
4 X 3	6-1/8	344640A

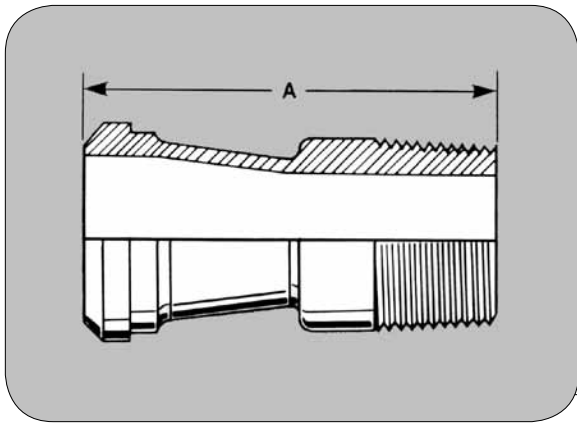


### 31-18F-TAPER REDUCER-ADAPTER

SIZE (TUBE O.D.)	A	STOCK NO.
1-1/2 X 1	4-1/16	344715
2 X 1	6-1/16	344720
2 X 1-1/2	4-11/32	344720A
2-1/2 X 1-1/2	6-15/32	344725
2-1/2 X 2*	4-3/8	344725A
3 X 2	6-7/16	344730
3 X 2-1/2*	4-27/32	344730A
4 X 2-1/2	9-5/32	344740
4 X 3	7-13/32	344740A

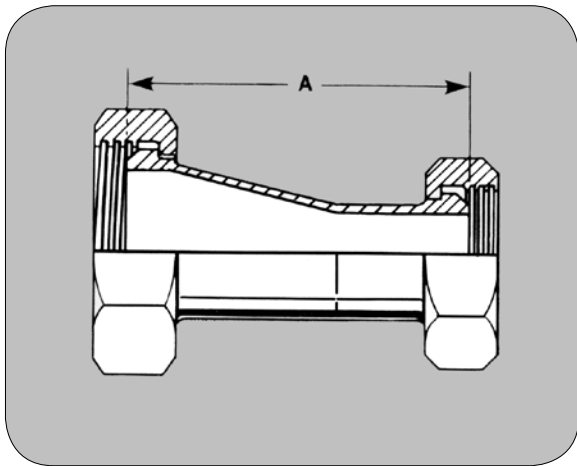


\*HEX NUT INCLUDED ON THESE SIZES ONLY



31-19F-TAPER REDUCER-ADAPTER

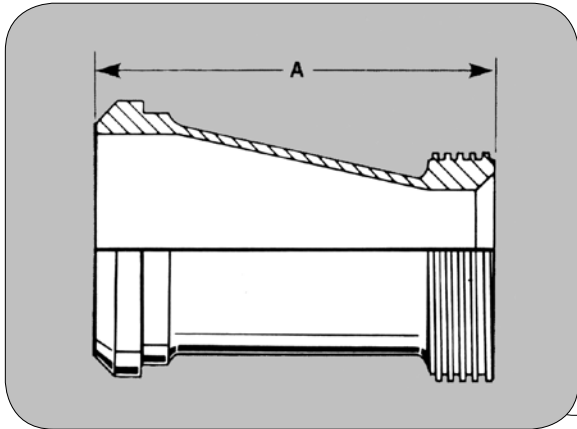
SIZE (TUBE O.D.)	A	STOCK NO.
1-1/2 X 1	4-15/32	344815
2 X 1	6-15/32	344820
2 X 1-1/2	4-15/32	344820A
2-1/2 X 1-1/2	6-19/32	344825
2-1/2 X 2	4-21/32	344825A
3 X 2	6-23/32	344830
3 X 2-1/2	5-7/32	344830A
4 X 2-1/2	9-17/32	344840
4 X 3	7-23/32	344840A



32-14F-ECCENTRIC TAPER REDUCER (3-A)

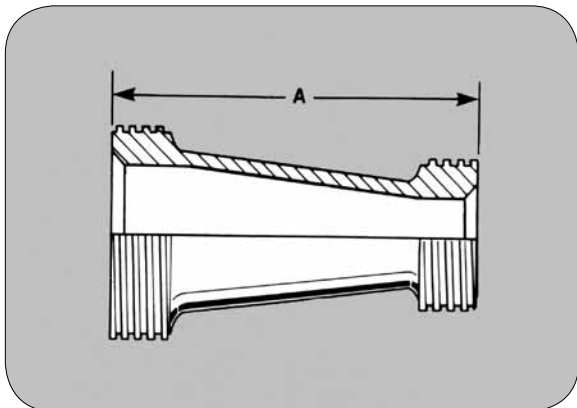
SIZE (TUBE O.D.)	A	STOCK NO.
1-1/2 X 1	4-3/32	344915
2 X 1	6-3/32	344920
2 X 1-1/2	4-7/32	344920A
2-1/2 X 1-1/2	6-11/32	344925
2-1/2 X 2	4-7/32	344925A
3 X 2	6-13/32	344930
3 X 2-1/2	4-19/32	344930A
4 X 2-1/2	8-31/32	344940
4 X 3	6-31/32	344940A

HEX NUTS INCLUDED



32-15F-ECCENTRIC TAPER REDUCER (3-A)

SIZE (TUBE O.D.)	A	STOCK NO.
1-1/2 X 1	3-13/32	345015
2 X 1	5-13/32	345020
2 X 1-1/2	3-7/16	345020A
2-1/2 X 1-1/2	5-9/16	345025
2-1/2 X 2	3-9/16	345025A
3 X 2	5-5/8	345030
3 X 2-1/2	3-3/4	345030A
4 X 2-1/2	8-1/16	345040
4 X 3	6-1/8	345040A



31TT-REDUCER (3-A)

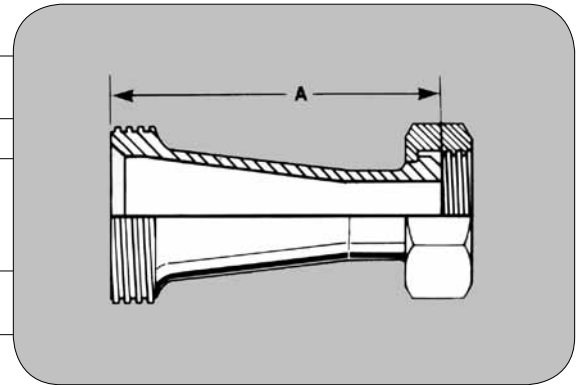
SIZE (TUBE O.D.)	A	STOCK NO.
1-1/2 X 1	3-13/32	345115
2 X 1	3-25/32	345120
2 X 1-1/2	3-7/16	345120A
2-1/2 X 1-1/2	3-29/32	345125
2-1/2 X 2	3-9/16	345125A
3 X 2	5-5/8	345130
3 X 2-1/2	5-13/32	345130A



### 31TP-TAPER REDUCER (3-A)

SIZE (TUBE O.D.)	A	STOCK NO.
1-1/2 X 1	4-1/16	345215
2 X 1	4-1/16	345220
2 X 1-1/2	4-7/32	345220A
2-1/2 X 1-1/2	6-7/32	345225
2-1/2 X 2	4-7/32	345225A
3 X 2	6-9/32	345230
3 X 2-1/2	4-19/32	345230A

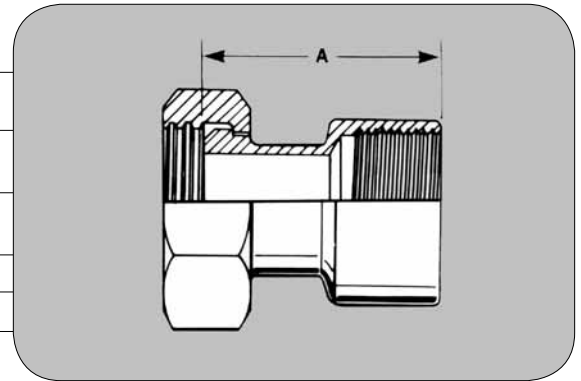
HEX NUT INCLUDED



### 14-18 ADAPTER (Acme Hex Nut to Female NPT)

SIZE (TUBE O.D.)	A	STOCK NO.
1	3-1/8	345410
1-1/2	3-1/4	345415
2	3-5/16	345420
2-1/2	4-1/16	345425
3	4-1/4	345430
4	4-5/16	345440

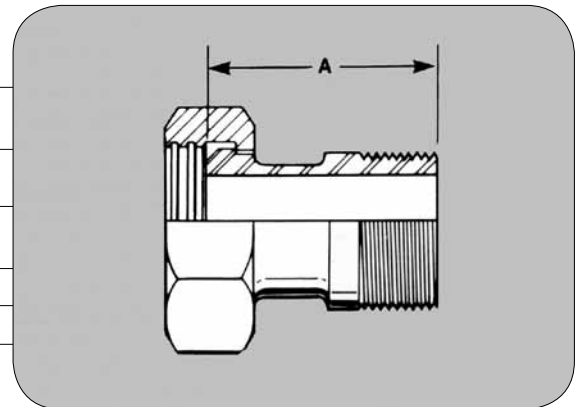
HEX NUT INCLUDED



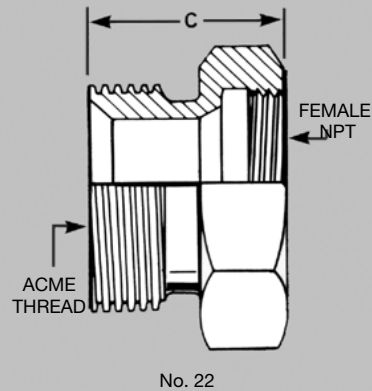
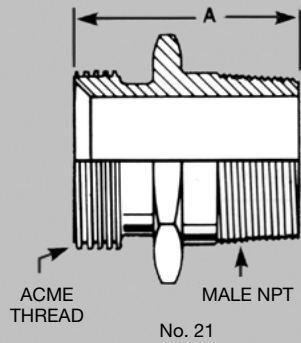
### 14-19 ADAPTER (Acme Hex Nut to Male NPT)

SIZE (TUBE O.D.)	A	STOCK NO.
1	3-1/8	345510
1-1/2	3-1/4	345515
2	3-5/16	345520
2-1/2	4-1/16	345525
3	4-1/4	345530
4	4-5/16	345540

HEX NUT INCLUDED



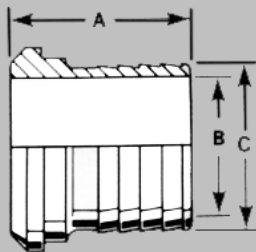
### 21 AND 22-ADAPTERS



SIZE (TUBE O.D.)	NO. 21 A	NO. 22 C	STOCK NO. NO. 21	STOCK NO. NO. 22
1 X 3/4	2-3/16	1-5/8	345610	345710
1 X 1	2-1/4	2-1/16	345610A	345710A
1 X 1-1/2	2-3/8	2-1/2	345610B	345710B
1 X 2	2-5/8	2-1/2	345610C	345710C
1-1/2 X 3/4	2-3/16	1-5/8	345615	345715
1-1/2 X 1	2-5/16	1-5/8	345615A	345715A
1-1/2 X 1-1/4	2-7/16	2-1/2	345615B	345715B
1-1/2 X 1-1/2	2-7/16	2-1/4	345615C	345715C
1-1/2 X 2	2-5/8	2-1/2	345615D	345715D
2 X 1-1/4	2-15/32	1-21/32	345620	345720
2 X 1-1/2	2-15/32	1-21/32	345620A	345720A
2 X 2	2-21/32	2-11/32	345620B	345720B
2 X 2-1/2	3-1/8	1-27/32	345620C	345720C
2-1/2 X 1	2-21/32	1-27/32	345625	345725
2-1/2 X 1-1/2	2-25/32	1-27/32	345625A	345725A
2-1/2 X 2	2-25/32	1-27/32	345625B	345725B
2-1/2 X 2-1/2	3-9/32	2-3/32	345625C	345725C
3 X 3	3-1/2	2-3/16	345630	345730

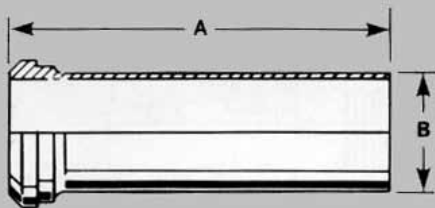
NOTE: SANITARY SIZE SHOWN FIRST

### 14AHR-RUBBER HOSE ADAPTER



SIZE (TUBE O.D.)	A	B	C	STOCK NO.
1	1-11/16	13/16	1	345810
1-1/2	1-11/16	1-5/16	1-1/2	345815
2	2-5/16	1-13/16	2	345820
2-1/2	2-11/32	2-5/16	2-1/2	345825
3	3-1/2	2-13/16	3	345830
4	4	3-13/16	4	345840

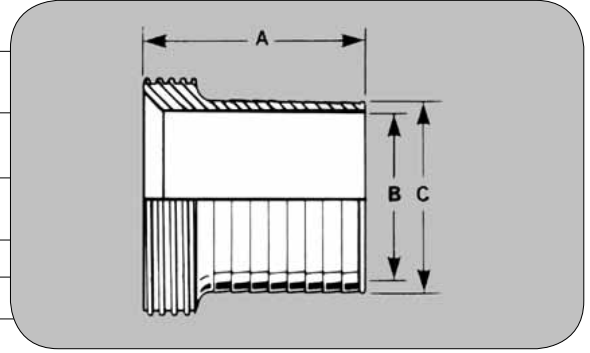
### 14AHT-TYGON HOSE ADAPTER



SIZE (TUBE O.D.)	A	B	STOCK NO.
1	4-11/16	1	345910
1-1/2	4-23/32	1-1/2	345915
2	4-23/32	2	345920
2-1/2	4-27/32	2-1/2	345925
3	4-29/32	3	345930
4	5-7/32	4	345940

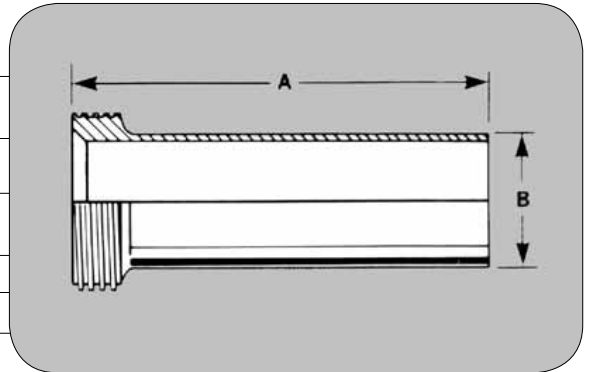
### 15AHR-RUBBER HOSE ADAPTER

SIZE (TUBE O.D.)	A	B	C	STOCK NO.
1	1-11/16	13/16	1	346010
1-1/2	1-11/16	1-5/16	1-1/2	346015
2	2-5/16	1-13/16	2	346020
2-1/2	3	2-5/16	2-1/2	346025
3	3-1/2	2-13/16	3	346030
4	4	3-13/16	4	346040



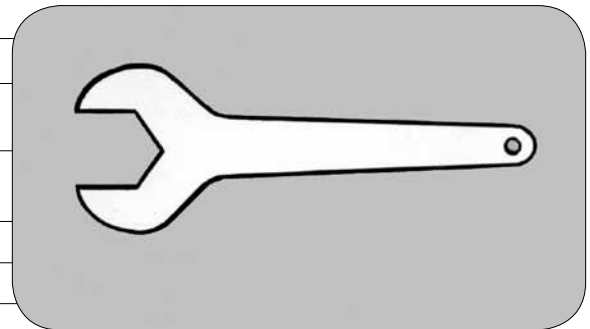
### 15AHT-TYGON HOSE ADAPTERS

SIZE (TUBE O.D.)	A	B	STOCK NO.
1	4-11/16	1	346110
1-1/2	4-23/32	1-1/2	346115
2	4-23/32	2	346120
2-1/2	4-27/32	2-1/2	346125
3	4-29/32	3	346130
4	5-7/32	4	346140



### 25H ALUMINUM HEX WRENCH-SINGLE END

SIZE	STOCK NO.
1	346610
1-1/2	346615
2	346620
2-1/2	346625
3	346630
4	346640





Always Giving You  
Top of the Line Service  
and Quality

Contact your Top Line Representative for Assistance

Office: P.O. Box 264 · Bradford, PA 16701

Plant: 21 Valley Hunt Drive · Lewis Run, PA 16738

800-458-6095

814-362-4626

Fax: 814-362-4453

**Top Line** is a leading supplier of sanitary stainless steel process equipment. Serving the food, beverage, dairy, pharmaceutical, biotechnological and personal care industries. For over 50 years we've provided our customers with exceptional customer service and quality products. We are committed to meeting the fastest delivery, new product development and application engineering to meet all our customer's needs with our extensive inventory and expert sales team.

**Top Line** specializes in stainless steel materials – type 304 and 316L. Our modern, well equipped manufacturing facilities are staffed by skilled and dedicated craftsmen. Consistently meeting important tolerances and finish specifications is of primary concern to us. Before any products leave our plant they are subjected to rigid quality assurance checks.

**Top Line** should always be considered your first choice for both standard and custom fabricated stainless steel products.

## Limited Warranty

Top Line Process Equipment Company products are warranted to be free of defects in material or workmanship for a period of one year from date of shipment. Warranty covers those Top Line products used in an approved installation and maintained in strict accordance with recognized standard industry practice. If, after properly authorized return, Top Line determines that products are defective, Top Line may at its option, repair or replace such defective products.

Top Line shall not be liable for consequential, indirect or incidental damages. The above warranty is in lieu of all other warranties, expressed or implied.

[www.toplineonline.com](http://www.toplineonline.com)