



TOP-FLO[®] Plug Valves



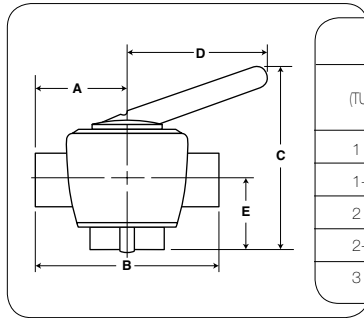
Stainless Steel Flow Control Equipment for the
Food, Beverage, Dairy, Cosmetics, Biotechnology,
Pharmaceutical and Electronics Processing Industries

www.toplineonline.com

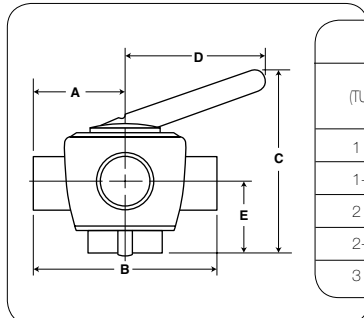
TOP-FLO[®] Plug Valves

Features:

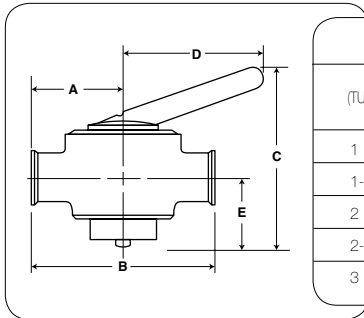
- Rubber (Silicone) or stainless steel plug
- Materials type 304 and 316L SS
- Meets 3-A sanitary finish
- Temperature to 100°F
- Bevel seat ends available upon request



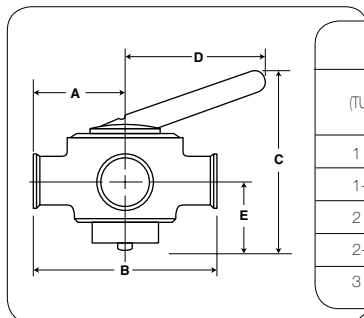
DL10WW & DL10WWR 2-WAY PLUG VALVE BUTT WELD									
SIZE (TUBE O.D.)	A	B	C	D	E	304 SS STOCK NO. STAINLESS STEEL PLUG	316L SS STOCK NO. STAINLESS STEEL PLUG	304 SS STOCK NO. RUBBER PLUG	316L SS STOCK NO. RUBBER PLUG
1	3-5/8	7-1/4	5-1/16	4-39/64	2-19/64	359610	399610	359610R	399610R
1-1/2	3-29/32	7-13/16	6-7/16	5-5/8	2-13/32	359615	399615	359615R	399615R
2	4-13/32	8-13/16	7-1/64	5-43/64	2-27/32	359620	399620	359620R	399620R
2-1/2	5-1/8	10-1/4	8-51/64	5-59/64	3-25/64	359625	399625	359625R	399625R
3	5-23/32	11-7/16	9-1/2	7-1/8	3-9/16	359630	399630	359630R	399630R



DL11WWW & DL11WWWWR 3-WAY PLUG VALVE BUTT WELD									
SIZE (TUBE O.D.)	A	B	C	D	E	304 SS STOCK NO. STAINLESS STEEL PLUG	316L SS STOCK NO. STAINLESS STEEL PLUG	304 SS STOCK NO. RUBBER PLUG	316L SS STOCK NO. RUBBER PLUG
1	3-5/8	7-1/4	5-1/16	4-39/64	2-19/64	359710	399710	359710R	399710R
1-1/2	3-29/32	7-13/16	6-7/16	5-5/8	2-13/32	359715	399715	359715R	399715R
2	4-13/32	8-13/16	7-1/16	5-43/64	2-27/32	359720	399720	359720R	399720R
2-1/2	5-1/8	10-1/4	8-51/64	5-59/64	3-25/64	359725	399725	359725R	399725R
3	5-23/32	11-7/16	9-1/2	7-1/8	3-9/16	359730	399730	359730R	399730R



D10MP & D10MPR 2-WAY PLUG VALVE CLAMP									
SIZE (TUBE O.D.)	A	B	C	D	E	304 SS STOCK NO. STAINLESS STEEL PLUG	316L SS STOCK NO. STAINLESS STEEL PLUG	304 SS STOCK NO. RUBBER PLUG	316L SS STOCK NO. RUBBER PLUG
1	2-9/16	4-9/16	5-1/16	4-39/64	2-19/64	329610	389610	329610R	389610R
1-1/2	2-29/32	5-13/16	6-7/16	5-5/8	2-13/32	329615	389615	329615R	389615R
2	3-13/32	6-13/16	7-1/16	5-43/64	2-27/32	329620	389620	329620R	389620R
2-1/2	4-1/8	8-1/4	8-51/64	5-59/64	3-25/64	329625	389625	329625R	389625R
3	4-23/32	9-7/16	9-1/2	7-7/8	3-9/16	329630	389630	329630R	389630R



D11MP & DM11MPR 3-WAY PLUG VALVE CLAMP									
SIZE (TUBE O.D.)	A	B	C	D	E	304 SS STOCK NO. STAINLESS STEEL PLUG	316L SS STOCK NO. STAINLESS STEEL PLUG	304 SS STOCK NO. RUBBER PLUG	316L SS STOCK NO. RUBBER PLUG
1	2-9/16	4-9/16	5-1/16	4-39/64	2-19/64	329710	389710	329710R	389710R
1-1/2	2-29/32	5-13/16	6-7/16	5-5/8	2-13/32	329715	389715	329715R	389715R
2	3-13/32	6-13/16	7-1/16	5-43/64	2-27/32	329720	389720	329720R	389720R
2-1/2	4-1/8	8-1/4	8-51/64	5-59/64	3-25/64	329725	389725	329725R	389725R
3	4-23/32	9-7/16	9-1/2	7-7/8	3-9/16	329730	389730	329730R	389730R



Always Giving You
Top of the Line Service
and Quality

Contact your Top Line Representative for Assistance

Office: P.O. Box 264 · Bradford, PA 16701

Plant: 21 Valley Hunt Drive · Lewis Run, PA 16738

800-458-6095

814-362-4626

Fax: 814-362-4453

Top Line is a leading supplier of sanitary stainless steel process equipment. Serving the food, beverage, dairy, pharmaceutical, biotechnological and personal care industries. For over 50 years we've provided our customers with exceptional customer service and quality products. We are committed to meeting the fastest delivery, new product development and application engineering to meet all our customer's needs with our extensive inventory and expert sales team.

Top Line specializes in stainless steel materials – type 304 and 316L. Our modern, well equipped manufacturing facilities are staffed by skilled and dedicated craftsmen. Consistently meeting important tolerances and finish specifications is of primary concern to us. Before any products leave our plant they are subjected to rigid quality assurance checks.

Top Line should always be considered your first choice for both standard and custom fabricated stainless steel products.

Limited Warranty

Top Line Process Equipment Company products are warranted to be free of defects in material or workmanship for a period of one year from date of shipment. Warranty covers those Top Line products used in an approved installation and maintained in strict accordance with recognized standard industry practice. If, after properly authorized return, Top Line determines that products are defective, Top Line may at its option, repair or replace such defective products.

Top Line shall not be liable for consequential, indirect or incidental damages. The above warranty is in lieu of all other warranties, expressed or implied.

www.toplineonline.com