



## Hygienic Pressure Gauges (3-A)

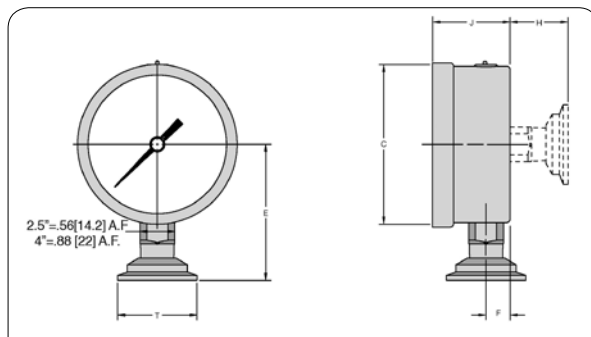


Stainless Steel Flow Control Equipment for the  
Food, Beverage, Dairy, Cosmetics, Biotechnology,  
Pharmaceutical and Electronics Processing Industries

[www.toplineonline.com](http://www.toplineonline.com)

# Sanitary Pressure Gauges (3-A)

Hygienic pressure gauges have been specifically designed for applications in the food, dairy, pharmaceutical, and biotechnology industries. These gauges meet 3-A, USDA and FDA sanitary standards.



DIAL SIZE	CLAMP SIZE	C	E	F	H	J	T
2-1/2	1-1/2	2.68 (68)	2.64 (67)	0.37 (9.5)	1.52 (38.5)	1.20 (30.5)	1.98 (50.5)
(63)	2	2.68 (68)	2.64 (67)	0.37 (9.5)	1.52 (38.5)	1.20 (30.5)	2.51 (64.0)
4	1-1/2	4.18 (106.2)	3.35 (85)	0.46 (11.8)	1.52 (38.5)	1.32 (33.5)	1.98 (50.5)
(100)	2	4.18 (106.2)	3.35 (85)	0.46 (11.8)	1.52 (38.5)	1.32 (33.5)	2.51 (64.0)

## Ranges

			DIAL FACE			
			2-1/2		4	
			1-1/2 CLAMP	2 CLAMP	1-1/2 CLAMP	2 CLAMP
PSI	BAR	MOUNT	1-1/2 CLAMP	2 CLAMP	1-1/2 CLAMP	2 CLAMP
30\"/>						

Options available upon request:

- Other pressure ranges
- No fill (dry)

## SPECIFICATIONS

- Case: polished AISI 304 SS
- Ring: polished AISI 304 SS
- Dial sizes: 2-1/2" and 4"
- Process connection (T): polished AISI 316L SS with 1-1/2" and 2" clamp connections.
- Diaphragm: polished AISI 316L SS
- Polycarbonate face
- Pointer: black anodized aluminum
- Case fill: glycerine
- Seal fill: oil for food service
- Process temperature: 150°F max
- Accuracy: as a percentage of full scale as per ASME B40.100 ± 1% (4" Dial) as per ASME B40.100 ± 1.6% (2-1/2" Dial)



Always Giving You  
Top of the Line Service  
and Quality

Contact your Top Line Representative for Assistance

Office: P.O. Box 264 · Bradford, PA 16701

Plant: 21 Valley Hunt Drive · Lewis Run, PA 16738

800-458-6095

814-362-4626

Fax: 814-362-4453

**Top Line** is a leading supplier of sanitary stainless steel process equipment. Serving the food, beverage, dairy, pharmaceutical, biotechnological and personal care industries. For over 50 years we've provided our customers with exceptional customer service and quality products. We are committed to meeting the fastest delivery, new product development and application engineering to meet all our customer's needs with our extensive inventory and expert sales team.

**Top Line** specializes in stainless steel materials – type 304 and 316L. Our modern, well equipped manufacturing facilities are staffed by skilled and dedicated craftsmen. Consistently meeting important tolerances and finish specifications is of primary concern to us. Before any products leave our plant they are subjected to rigid quality assurance checks.

**Top Line** should always be considered your first choice for both standard and custom fabricated stainless steel products.

## Limited Warranty

Top Line Process Equipment Company products are warranted to be free of defects in material or workmanship for a period of one year from date of shipment. Warranty covers those Top Line products used in an approved installation and maintained in strict accordance with recognized standard industry practice. If, after properly authorized return, Top Line determines that products are defective, Top Line may at its option, repair or replace such defective products.

Top Line shall not be liable for consequential, indirect or incidental damages. The above warranty is in lieu of all other warranties, expressed or implied.

[www.toplineonline.com](http://www.toplineonline.com)