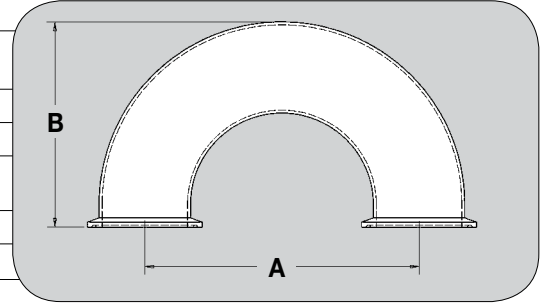


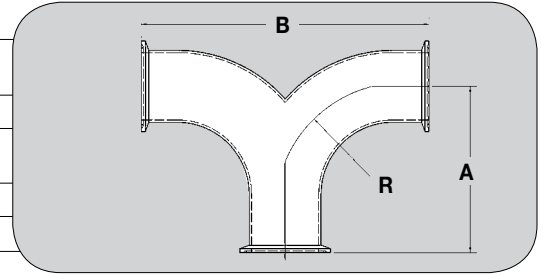
2WUMP – U-Bend 180° Clamp End (3-A) 32R_a ID/32R_a OD

SIZE (TUBE O.D.)	A	B	304 STOCK NO.	316L STOCK NO.
1	3	2-1/2	32910-7	38910-7
1-1/2	4-1/2	3-1/2	32915-7	38915-7
2	6	4-1/2	32920-7	38920-7
2-1/2	7-1/2	5-1/2	32925-7	38925-7
3	9	6-1/2	32930-7	38930-7
4	12	8-5/8	32940-7	38940-7



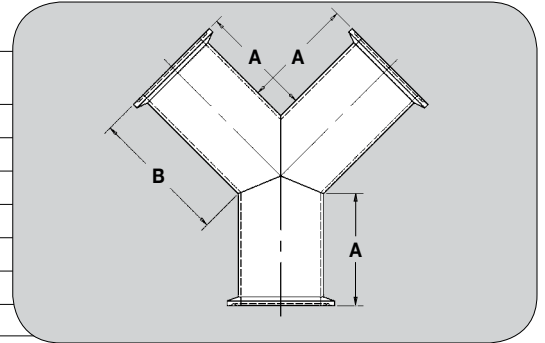
Line Splitter – Clamp Ends (3-A) 32R_a ID/32R_a OD

SIZE (TUBE O.D.)	A	B	R	304 STOCK NO.	316L STOCK NO.
1-1/2	3-1/16	7-1/2	2-1/4	32515-7	38515-7
2	3-7/8	9	3	32520-7	38520-7
2-1/2	5-7/8	11-3/4	3-3/4	32525-7	38525-7
3	6-1/2	13	4-1/2	32530-7	38530-7
4	8-5/8	17-1/4	6	32540-7	38540-7



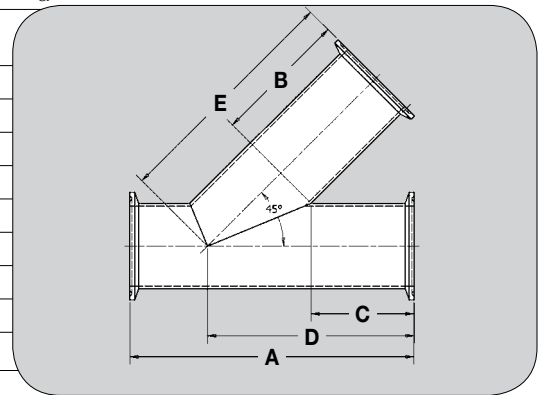
True "Wye" – Wye True Clamp Ends (3-A) 32R_a ID/32R_a OD

SIZE (TUBE O.D.)	A	B	316L STOCK NO.
1	2-1/2	2-7/8	381810-7
1-1/2	2-1/2	2-15/16	381815-7
2	3-1/8	3-3/4	381820-7
2-1/2	3-7/8	4-5/8	381825-7
3	4-1/2	5-3/8	381830-7
4	6	7-3/16	381840-7
6	7	8-11/16	381860-7



Lateral "Wye" – Wye Lateral Clamp Ends (3-A) 32R_a ID/32R_a OD

SIZE (TUBE O.D.)	A	B	C	D	E	316L STOCK NO.
1/2	4	2-7/32	1-3/4	2-1/4	3-1/8	381705-7
3/4	4	2-7/32	2 1-3/4	2-1/4	3-1/8	381707-7
1	5-1/2	2-1/4	1-3/4	2-15/16	3-7/16	381710-7
1-1/2	5-1/2	2-1/4	1-3/4	3-9/16	4-5/16	381715-7
2	6-5/8	3-1/8	2-3/8	4-13/16	5-9/16	381720-7
2-1/2	7-7/8	3-7/8	2-7/8	5-7/8	6-7/8	381725-7
3	9	4-1/2	3-5/16	6-29/32	8-3/32	381730-7
4	13-1/4	6	4-7/16	9-5/16	10-13/16	381740-7
6	22-1/2	11-3/32	8	15-1/4	18-11/32	381760-7



AVAILABLE IN 316L ONLY

Gasket Clamp Type FDA Compliant



O-ring

40MP-U BUNA N
40MP-UW BUNA WHITE
40RX-PX SILICONE
40MP-E EPDM
40MP-G PTFE
40MP-SFY FKM



FLANGED (TYPE 2)

40MPF-U BUNA N
40RX-PX SILICONE
40MPF-E EPDM
40MPF-SFY FKM



ENVELOPE (TYPE 3)

A40MP-GR PTFE

ALSO AVAILABLE

BEVEL SEAT
JOHN PERRY