



Tube O.D. Butt Weld Fittings



Stainless Steel Flow Control Equipment for the
Food, Beverage, Dairy, Cosmetics, Biotechnology,
Pharmaceutical and Electronics Processing Industries

www.toplineonline.com

Tube O.D. Butt Weld Fittings

Top Line precision crafted Tube O.D. butt weld fitting can be upgraded from a standard No. 1 unpolished ID/OD to No. 7 polished ID/OD (32Ra ID/OD) that meet or exceed FDA and 3-A regulatory standards.

Specifications:

Size Range: 3/4" OD - 12" OD

Wall Thickness: .065 (3/4" - 3")
 .083 (4")
 .109 (6" - 8")
 .109 (10" - 12")

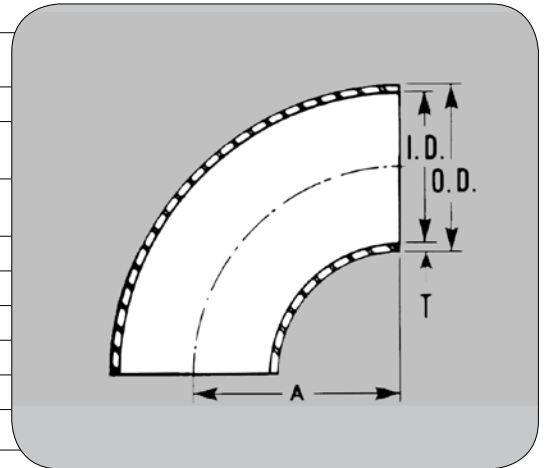
Materials: 304 (Stock No. prefix 35) as shown in part number matrix
 316L (Stock No. prefix 39) as shown in part number matrix

Finish: No. 1 - Unpolished (standard)
 No. 7 - Polished ID and OD (add -7 after 304 or 316L stock number to order)



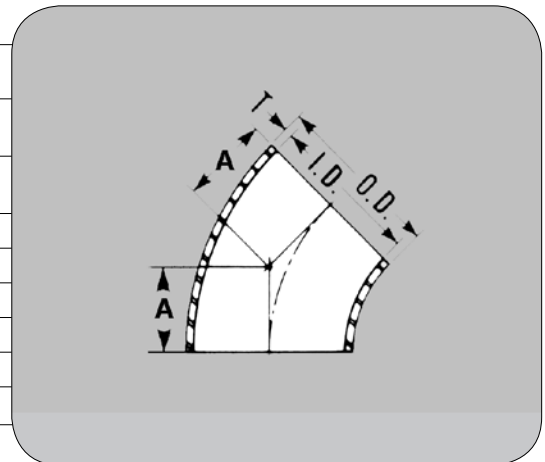
2WCL – Elbow 90° Weld Ends Unpolished

SIZE (TUBE O.D.)	A	O.D.	I.D.	T	304 STOCK NO.	316L STOCK NO.
3/4	1-1/8	.75	.620	.065	3530107V	–
1	1-1/2	1.00	.870	.065	3530110	3930110
1-1/2	2-1/4	1.50	1.370	.065	3530115	3930115
2	3	2.00	1.870	.065	3530120	3930120
2-1/2	3-3/4	2.50	2.370	.065	3530125	3930125
3	4-1/2	3.00	2.870	.065	3530130	3930130
4	6	4.00	3.834	.083	3530140	3930140
6	9	6.00	5.782	.109	3530160	3930160
8	12	8.00	7.782	.109	3530180	3930180
10	15	10.00	9.782	.109	35301100	39301100
12	18	12.00	11.782	.109	35301120	39301120



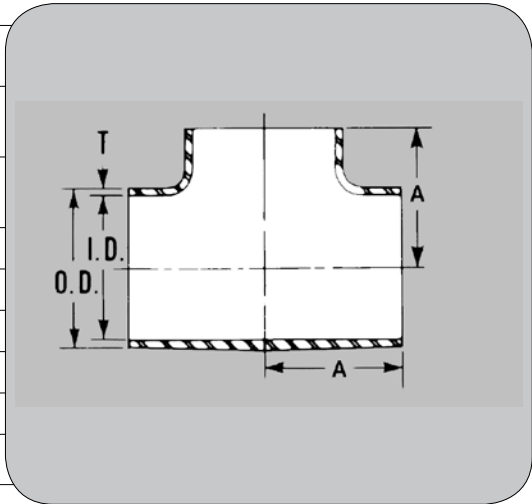
2WK – Elbow 45° Weld Ends Unpolished

SIZE (TUBE O.D.)	A	O.D.	I.D.	T	304 STOCK NO.	316L STOCK NO.
1	5/8	1.0	.870	.065	3530310	3930310
1-1/2	15/16	1.5	1.370	.065	3530315	3930315
2	1-1/4	2.0	1.870	.065	3530320	3930320
2-1/2	1-9/16	2.5	2.370	.065	3530325	3930325
3	1-7/8	3.0	2.870	.065	3530330	3930330
4	2-1/2	4.0	3.834	.083	3530340	3930340
6	3-3/4	6.0	5.782	.109	3530360	3930360
8	5	8.0	7.782	.109	3530380	3930380
10	6-1/4	10.0	9.782	.109	35303100	39303100
12	7-1/2	12.0	11.782	.109	35303120	39303120



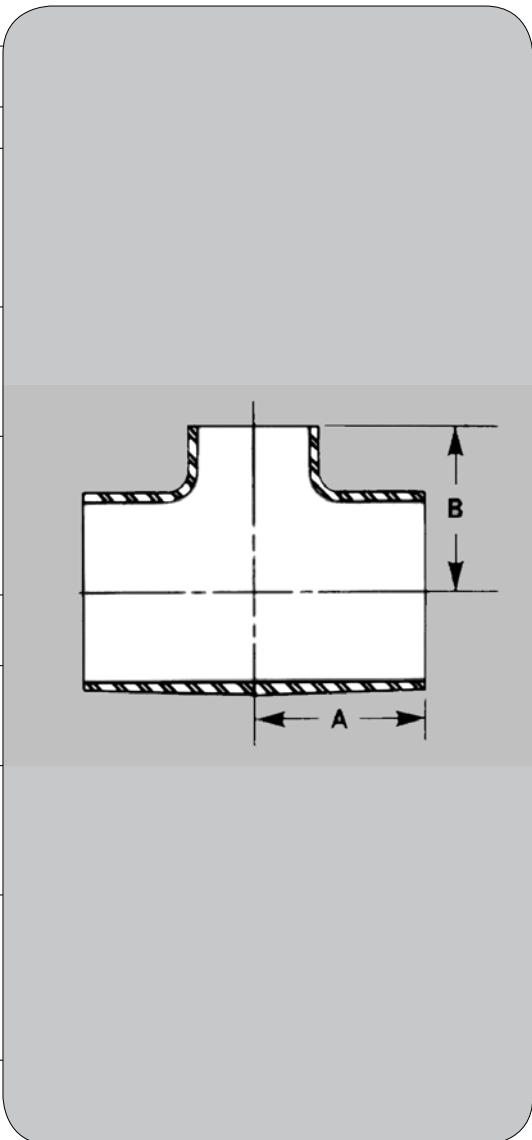
7W – Tee Weld Ends Unpolished

SIZE (TUBE O.D.)	A	O.D.	I.D.	T	304 STOCK NO.	316L STOCK NO.
1	1-7/8	1.0	.870	.065	3530610	3930610
1-1/2	2-1/4	1.5	1.370	.065	3530615	3930615
2	3	2.0	1.870	.065	3530620	3930620
2-1/2	3	2.5	2.370	.065	3530625	3930625
3	3-1/4	3.0	2.870	.065	3530630	3930630
4	3-7/8	4.0	3.834	.083	3530640	3930640
6	5	6.0	5.782	.109	3530660	3930660
8	7	8.0	7.782	.109	3530680	3930680
10	8-1/2	10.0	9.782	.109	35306100	39306100
12	10	12.0	11.782	.109	35306120	39306120



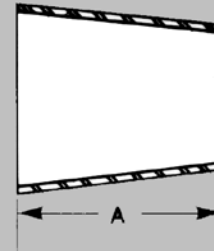
7WR – Tee Reducing Weld Ends Unpolished

SIZE (TUBE O.D.)	A	B	304 STOCK NO.	316L STOCK NO.
1-1/2 X 1	2-1/4	2-1/8	3530515R-10	3930515R-10
2 X 1	3	2-3/8	3530520R-10	3930520R-10
2 X 1-1/2	3	2-1/2	3530520R-15	3930520R-15
2-1/2 X 1	3	2-3/4	-	-
2-1/2 X 1-1/2	3	2-3/4	3530525R-15	3930525R-15
2-1/2 X 2	3	3-1/4	3530525R-20	3930525R-20
3 X 1	3-1/4	3	-	-
3 X 1-1/2	3-1/4	3	3530530R-15	3930530R-15
3 X 2	3-1/4	3-1/2	3530530R-20	3930530R-20
3 X 2-1/2	3-1/4	3-1/4	3530530R-25	3930530R-25
4 X 1	3-7/8	4	-	-
4 X 1-1/2	3-7/8	4	3530540R-15	-
4 X 2	3-7/8	4	3530540R-20	3930540R-20
4 X 2-1/2	3-7/8	3-3/4	3530540R-25	3930540R-25
4 X 3	3-7/8	3-3/4	3530540R-30	3930540R-30
6 X 3	5	5	3530560R-30	3930560R-30
6 X 4	5	5	3530560R-40	3930560R-40
8 X 3	7	7	-	-
8 X 4	7	7	3530580R-40	3930580R-40
8 X 6	7	7	3530580R-60	3930580R-60
10 X 3	8-1/2	8-1/2	-	-
10 X 4	8-1/2	8-1/2	-	-
10 X 6	8-1/2	8-1/2	-	-
10 X 8	8-1/2	8-1/2	-	-
12 X 3	10	10	-	-
12 X 4	10	10	35305120R-40	39305120R-40
12 X 6	10	10	35305120R-60	-
12 X 8	10	10	-	-
12 X 10	10	10	-	-



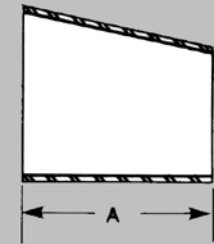
31W – Reducer Concentric Weld Ends Unpolished

SIZE (TUBE O.D.)	A	304 STOCK NO.	316L STOCK NO.
1-1/2 X 1	2	3530815-10	3930815-10
2 X 1	4	3530820-10	3930820-10
2 X 1-1/2	2	3530820-15	3930820-15
2-1/2 X 1	6	—	—
2-1/2 X 1-1/2	4	3530825-15	3930825-15
2-1/2 X 2	2	3530825-20	3930825-20
3 X 1	8	3530830-10	3930830-10
3 X 1-1/2	6	3530830-15	3930830-15
3 X 2	4	3530830-20	3930830-20
3 X 2-1/2	2	3530830-25	3930830-25
4 X 1	12	—	—
4 X 1-1/2	10	—	3930840-15
4 X 2	8	3530840-20	3930840-20
4 X 2-1/2	6	3530840-25	3930840-25
4 X 3	4	3530840-30	3930840-30
6 X 3	6	3530860-30	3930860-30
6 X 4	4	3530860-40	3930860-40
8 X 3	6	3530880-30	3930880-30
8 X 4	6	3530880-40	3930880-40
8 X 6	6	3530880-60	3930880-60
10 X 6	7	35308100-60	39308100-60
10 X 8	7	35308100-80	39308100-80
12 X 8	8	35308120-80	39308120-80
12 X 10	8	35308120-100	39308120-100



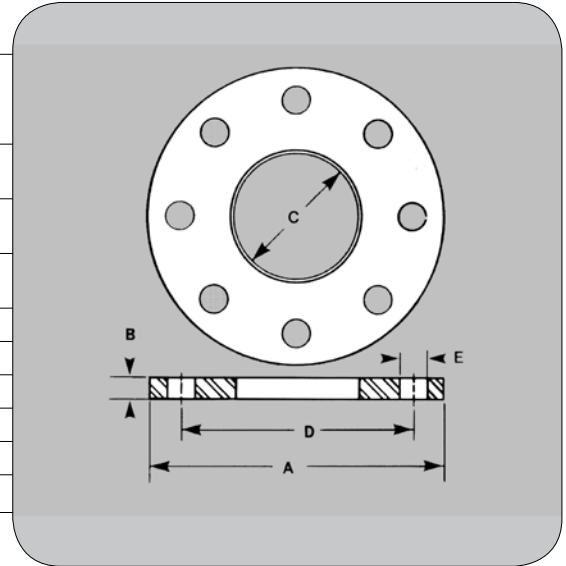
32W – Reducer Eccentric Weld Ends Unpolished

SIZE (TUBE O.D.)	A	304 STOCK NO.	316L STOCK NO.
1-1/2 X 1	2	3530915-10	3930915-10
2 X 1	4	3530920-10	3930920-10
2 X 1-1/2	2	3530920-15	3930920-15
2-1/2 X 1	6	—	—
2-1/2 X 1-1/2	4	3530925-15	3930925-15
2-1/2 X 2	2	3530925-20	3930925-20
3 X 1	8	—	—
3 X 1-1/2	6	3530930-15	3930930-15
3 X 2	4	3530930-20	3930930-20
3 X 2-1/2	2	3530930-25	3930930-25
4 X 1	12	—	—
4 X 1-1/2	10	—	—
4 X 2	8	3530940-20	3930940-20
4 X 2-1/2	6	3530940-25	3930940-25
4 X 3	4	3530940-30	3930940-30
6 X 3	6	3530960-30	3930960-30
6 X 4	4	3530960-40	3930960-40
8 X 3	6	3530980-30	3930980-30
8 X 4	6	3530980-40	3930980-40
8 X 6	6	3530980-60	3930980-60
10 X 6	7	35309100-60	39309100-60
10 X 8	7	35309100-80	39309100-80
12 X 8	8	35309120-80	39309120-80
12 X 10	8	35309120-100	39309120-100



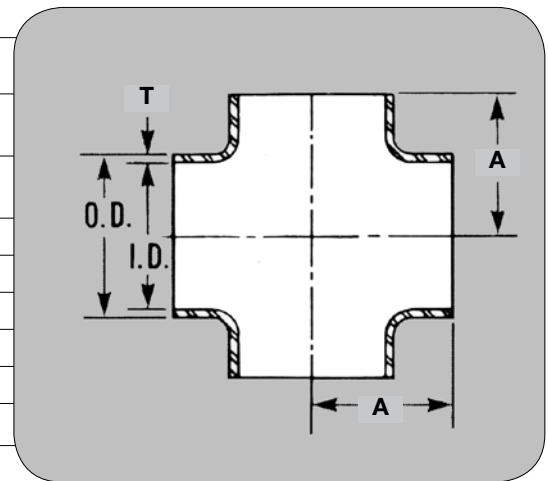
38SL – Flange Back Up Machine Finish

SIZE (TUBE O.D.)	FLANGE THICKNESS		I.D. C	B.C. D	NO. & DIA. OF BOLT HOLE E	304 STOCK NO.	316L STOCK NO.
	O.D. A	B					
1/2	3.50	0.313	0.563	2.38	4 - 5/8	355-05	395-05
3/4	3.79	0.344	0.813	2.75	4 - 5/8	355-07	395-07
1	4.25	0.375	1.063	3.13	4 - 5/8	355-1	395-10
1-1/2	5.00	0.375	1.563	3.88	4 - 5/8	355-15	395-15
2	6.00	0.438	2.063	4.75	4 - 3/4	355-2	395-20
2-1/2	7.00	0.438	2.563	5.50	4 - 3/4	355-25	395-25
3	7.50	0.500	3.063	6.00	4 - 3/4	355-3	395-30
4	9.00	0.500	4.063	7.50	8 - 3/4	355-4	395-40
6	11.00	0.563	6.063	9.50	8 - 7/8	355-6	395-60
8	13.50	0.563	8.060	11.75	8 - 7/8	355-8	-
10	16.00	0.688	10.060	14.25	12 - 1/2	-	-
12	19.00	0.688	12.060	17.00	12 - 1/2	-	-



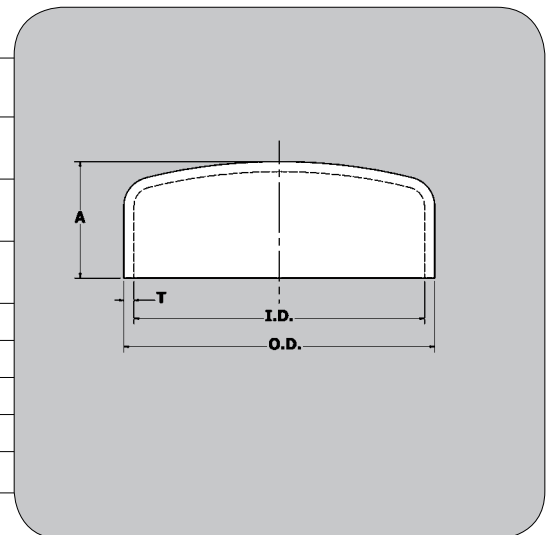
9W – Cross Weld Ends Unpolished

SIZE (TUBE O.D.)	A	O.D.	I.D.	T	304 STOCK NO.	316L STOCK NO.
1	1-7/8	1.000	.870	.065	3530410	3930410
1-1/2	2-1/4	1.500	1.370	.065	3530415	3930415
2	3	2.000	1.870	.065	3530420	3930420
2-1/2	3	2.500	2.370	.065	3530425	3930425
3	3-1/4	3.000	2.870	.065	3530430	3930430
4	3-7/8	4.000	3.834	.083	3530440	3930440
6	5	6.000	5.782	.109	3530460	3930460
8	7	8.000	7.782	.109	3530480	3930480
10	8-1/2	10.000	9.782	.109	35304100	39304100
12	10	12.000	11.782	.109	35304120	39304120



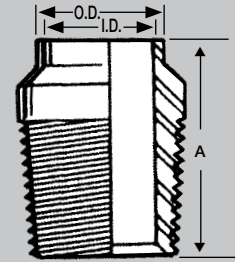
16W – Cap Weld End Stamped Unpolished

SIZE (TUBE O.D.)	A	O.D.	I.D.	T	304 STOCK NO.	316L STOCK NO.
1/2	0.25	0.50	0.370	0.065	-	3931605
3/4	0.31	0.75	0.620	0.065	-	3931607
1	0.75	1.00	0.870	0.065	3531610S	3931610S
1-1/2	0.56	1.50	1.370	0.065	3531615S	3931615S
2	0.75	2.00	1.870	0.065	3531620S	3931620S
2-1/2	1.00	2.50	2.370	0.065	3531625S	3931625S
3	1.25	3.00	2.870	0.065	3531630S	3931630S
4	1.50	4.00	3.834	0.083	3531640S	3931640S
6	2.25	6.00	5.782	0.109	3531660S	3931660S
8	2.50	8.00	7.782	0.109	-	3931680S
10	3.00	10.00	9.732	0.134	-	39316100S



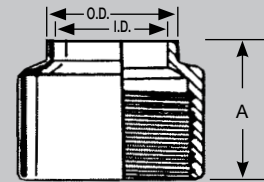
19WB – Adapter Weld End x Male NPT 32R_a ID/32R_a OD

SIZE (TUBE O.D.)	A	O.D.	I.D.	304 STOCK NO.	316L STOCK NO.
1/2	1.63	0.50	0.370	–	3931905
3/4	1.63	0.75	0.620	3531907	3931907
1	1.75	1.00	0.870	3531910	3931910
1-1/2	1.75	1.50	1.370	3531915	3931915
2	1.81	2.00	1.870	3531920	3931920
2-1/2	2.31	2.50	2.370	3531925	3931925
3	2.50	3.00	2.870	3531930	3931930
4	2.56	4.00	3.834	3531940	3931940



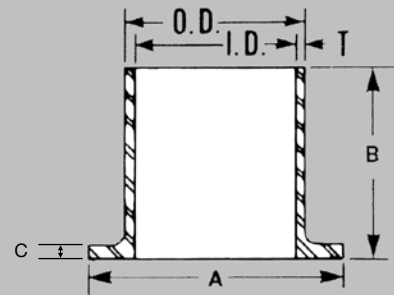
22WB – Adapter Weld End x Female NPT 32R_a ID/32R_a OD

SIZE (TUBE O.D.)	A	O.D.	I.D.	304 STOCK NO.	316L STOCK NO.
1/2	1.63	0.50	0.370	3532205	3932205
3/4	1.63	0.75	0.620	3532207	3932207
1	1.75	1.00	0.870	3532210	3932210
1-1/2	1.75	1.50	1.370	3532215	3932215
2	1.75	2.00	1.870	3532220	3932220
2-1/2	2.25	2.50	2.370	3532225	3932225
3	2.50	3.00	2.870	3532230	3932230
4	2.63	4.00	3.834	3532240	3932240



14VB – Stub End Lap Joint Unpolished

SIZE (TUBE O.D.)	A	O.D.	I.D.	B	T	C	316L STOCK NO.
1/2	1.69	0.50	0.370	1.38	0.065	0.098	3930705
3/4	1.69	0.75	0.620	1.38	0.065	0.098	3930707
1	2.00	1.00	0.870	1.63	0.065	0.125	3930710
1-1/2	2.88	1.50	1.370	1.75	0.065	0.125	3930715
2	3.63	2.00	1.870	1.50	0.065	0.125	3930720
2-1/2	4.13	2.50	2.370	2.00	0.065	0.125	3930725
3	5.00	3.00	2.870	2.25	0.065	0.125	3930730
4	6.19	4.00	3.834	2.63	0.083	0.250	3930740
6	8.50	6.00	5.782	3.00	0.109	0.250	3930760
8	10.63	8.00	7.782	3.00	0.109	–	3930780
10	12.75	10.00	9.732	3.50	0.134	–	39307100
12	15.00	12.00	11.732	3.50	0.134	–	39307120



*Flange Face is Phonographed



Always Giving You
Top of the Line Service
and Quality

Contact your Top Line Representative for Assistance

Office: P.O. Box 264 · Bradford, PA 16701

Plant: 21 Valley Hunt Drive · Lewis Run, PA 16738

800-458-6095

814-362-4626

Fax: 814-362-4453

Top Line is a leading supplier of sanitary stainless steel process equipment. Serving the food, beverage, dairy, pharmaceutical, biotechnological and personal care industries. For over 50 years we've provided our customers with exceptional customer service and quality products. We are committed to meeting the fastest delivery, new product development and application engineering to meet all our customer's needs with our extensive inventory and expert sales team.

Top Line specializes in stainless steel materials – type 304 and 316L. Our modern, well equipped manufacturing facilities are staffed by skilled and dedicated craftsmen. Consistently meeting important tolerances and finish specifications is of primary concern to us. Before any products leave our plant they are subjected to rigid quality assurance checks.

Top Line should always be considered your first choice for both standard and custom fabricated stainless steel products.

Limited Warranty

Top Line Process Equipment Company products are warranted to be free of defects in material or workmanship for a period of one year from date of shipment. Warranty covers those Top Line products used in an approved installation and maintained in strict accordance with recognized standard industry practice. If, after properly authorized return, Top Line determines that products are defective, Top Line may at its option, repair or replace such defective products.

Top Line shall not be liable for consequential, indirect or incidental damages. The above warranty is in lieu of all other warranties, expressed or implied.

www.toplineonline.com