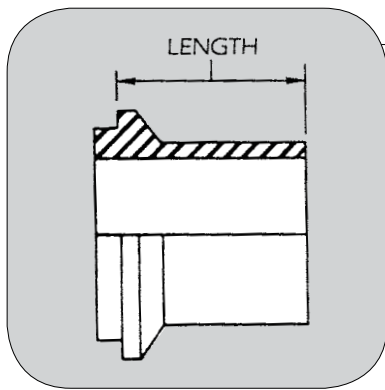


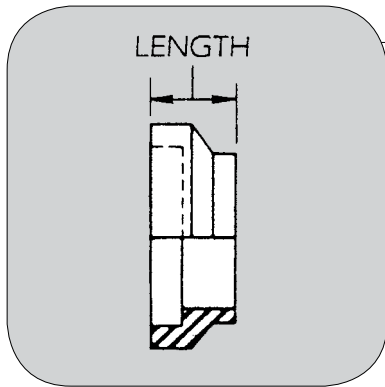
14WI MALE, WELDING

SIZE (TUBE O.D.)	LENGTH	STOCK NO.
1	19/32	32410
1-1/2	3/4	32415
2	25/32	32420
2-1/2	27/32	32425
3	29/32	32430
4	1-1/32	32440



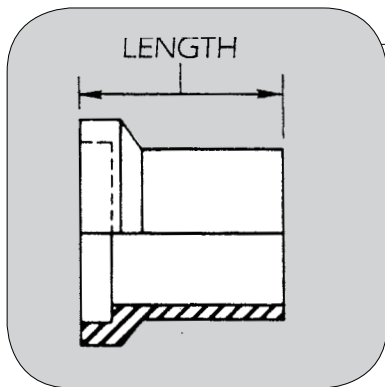
14WLI MALE, WELDING, LONG

SIZE (TUBE O.D.)	LENGTH	STOCK NO.
1	1-9/16	32751014I
1-1/2	1-27/32	32751514I
2	2-1/16	32752014I
2-1/2	2-3/16	32752514I
3	2-3/8	32753014I
4	2-11/16	32754014I



15WI FEMALE, WELDING

SIZE (TUBE O.D.)	LENGTH	STOCK NO.
1	25/32	32510
1-1/2	15/16	32515
2	1-1/32	32520
2-1/2	1-5/32	32525
3	1-7/32	32530
4	1-11/32	32540

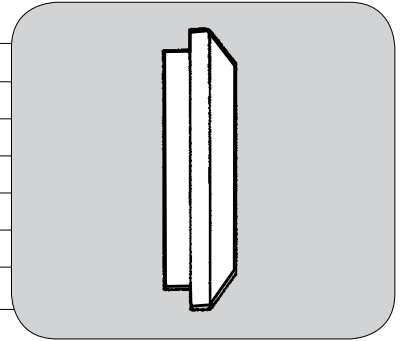


15WLI FEMALE, WELDING, LONG

SIZE (TUBE O.D.)	LENGTH	STOCK NO.
1	1-3/4	32751015I
1-1/2	2-1/32	32751515I
2	2-5/16	32752015I
2-1/2	2-1/2	32752515I
3	2-11/16	32753015I
4	3	32754015I

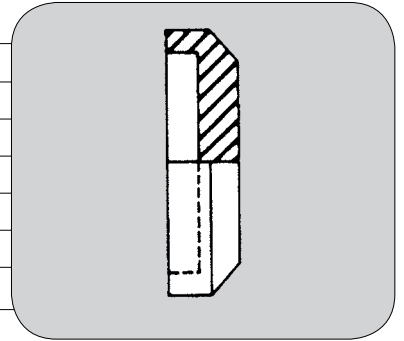
16AI-14I - MALE

SIZE	STOCK NO.
1	32981014I
1-1/2	32981514I
2	32982014I
2-1/2	32982514I
3	32983014I
4	32984014I



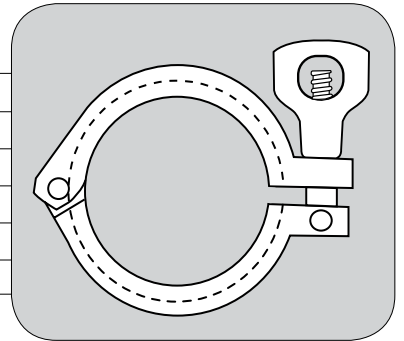
16AI-15I - FEMALE

SIZE	STOCK NO.
1	32981015I
1-1/2	32981515I
2	32982015I
2-1/2	32982515I
3	32983015I
4	32984015I



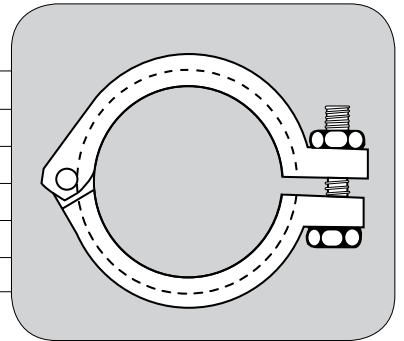
13IS - TI-LINE HEAVY DUTY CLAMP Size Range: 1" - 4" Tube O.D.

SIZE	STOCK NO.
1-1/2	329915IW
2	329920IW
2-1/2	329925IW
3	329930IW
4	329940IW



13I - TI-LINE BOLTED CLAMP Size Range: 1" - 4" Tube O.D.

SIZE	STOCK NO.
1-1/2	329915HPW
2	329920HPW
2-1/2	329925HPW
3	329930HPW
4	329940HPW

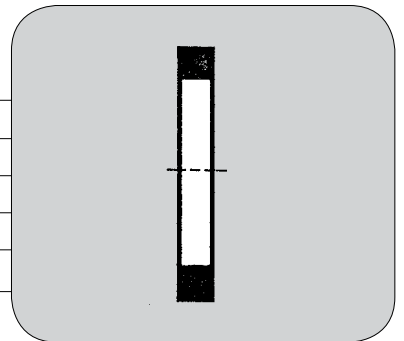


NOTE: 1" CLAMP FITTINGS USE 1-1/2" CLAMPS

TI-LINE GASKETS

1" O.D. - 6" O.D.

SIZE	STOCK NO.
40IH BUNA	321010I
40IE EPDM	321010IE
40IV FKM	321010IV
40IT PTFE	321010IT





Always Giving You
Top of the Line Service
and Quality

Contact your Top Line Representative for Assistance

Office: P.O. Box 264 · Bradford, PA 16701

Plant: 21 Valley Hunt Drive · Lewis Run, PA 16738

800-458-6095

814-362-4626

Fax: 814-362-4453

Top Line is a leading supplier of sanitary stainless steel process equipment. Serving the food, beverage, dairy, pharmaceutical, biotechnological and personal care industries. For over 50 years we've provided our customers with exceptional customer service and quality products. We are committed to meeting the fastest delivery, new product development and application engineering to meet all our customer's needs with our extensive inventory and expert sales team.

Top Line specializes in stainless steel materials – type 304 and 316L. Our modern, well equipped manufacturing facilities are staffed by skilled and dedicated craftsmen. Consistently meeting important tolerances and finish specifications is of primary concern to us. Before any products leave our plant they are subjected to rigid quality assurance checks.

Top Line should always be considered your first choice for both standard and custom fabricated stainless steel products.

Limited Warranty

Top Line Process Equipment Company products are warranted to be free of defects in material or workmanship for a period of one year from date of shipment. Warranty covers those Top Line products used in an approved installation and maintained in strict accordance with recognized standard industry practice. If, after properly authorized return, Top Line determines that products are defective, Top Line may at its option, repair or replace such defective products.

Top Line shall not be liable for consequential, indirect or incidental damages. The above warranty is in lieu of all other warranties, expressed or implied.

www.toplineonline.com