



## TOP-FLO® K45MP 3-A Sanitary Check Valves



Stainless Steel Flow Control Equipment for the  
Food, Beverage, Dairy, Cosmetics, Pharmaceutical,  
Biotechnology, and Electronics Processing Industries

[www.toplineonline.com](http://www.toplineonline.com)

# TOP-FLO® K45MP 3-A Sanitary Check Valves

The sanitary K45MP series disc type check valve is 3-A certified, and is fully constructed of 316L materials for increased chemical resistance. Simple construction using a standard body clamp allows for easy inspection and maintenance. The K45MP can be used in both vertical and horizontal applications.



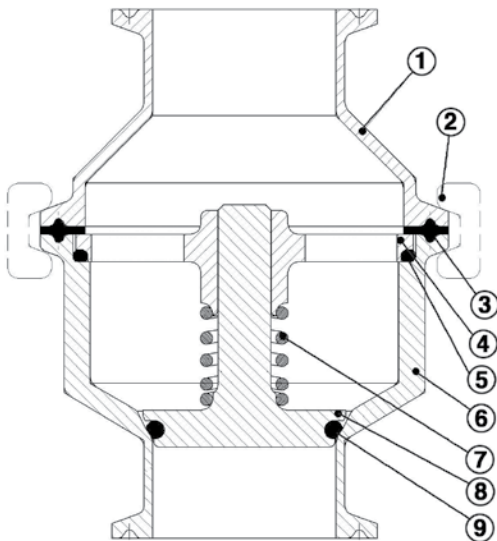
## Features:

- 3-A Certified
- Suitable for CIP fluids

## Specifications:

- End Connections  
Clamp  
Weld  
Others upon request
- Surface Finish  
ID: 25-30Ra  
OD: 32Ra
- Seal Material  
FDA FKM
- Maximum Operating Pressure  
150 PSIG
- Operating Temperature  
30° F Min.  
225° F Max.

## Materials List

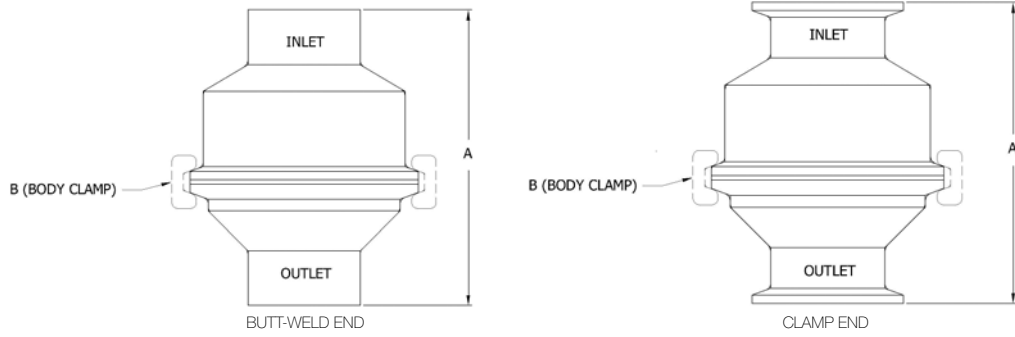


ITEM #	COMPONENT	MATERIAL	PART #
1	OUTLET BODY	316L	N/A
2	BODY CLAMP	304	3299915
3	BODY GASKET*	FDA FKM	RKK15VA
4	SPIDER	316L	38KSPIDER-15
5	SPIDER O-RING*	FDA FKM	RKK15VA
6	INLET BODY	316L	N/A
7	SPRING	316L	38KSPRING-5015
8	DISC	316L	38KDISC-15
9	DISC O-RING*	FDA FKM	RKK15VA

\* ITEMS ARE COMPONENTS OF ELASTOMER KIT  
(ITEMS NOT SOLD SEPARATELY)

NOTE: THE ABOVE PART NUMBERS ARE FOR 1-1/2"  
SIZES AVAILABLE 1/2" - 6"

## Dimensional Specifications



VALVE SIZE	A		B	ELASTOMER SEAL KITS
	CLAMP	BUTT-WELD	BODY CLAMP	FKM SEAL KIT #
1/2	3.92	3.92	1.5	RKK05VA
3/4	3.76	3.76	1.5	RKK07VA
1	3.37	3.37	2.5	RKK10VA
1-1/2	3.96	3.96	2.5	RKK15VA
2	3.96	3.96	3	RKK20VA
2-1/2	3.96	3.96	4	RKK25VA
3	3.96	3.96	4.5	RKK30VA
4	5.93	5.93	6	RKK40VA
6	8.50	8.50	10	RKK60VA

## Flow Characteristics

VALVE SIZE	CV	KV
1/2	10.44	9
3/4	17.40	15
1	25.52	22
1-1/2	49.88	43
2	81.20	70
2-1/2	111.36	96
3	241.60	185
4	336.40	290
6	610	526

## Ordering Information

MATERIAL & END CONNECTIONS		SERIES		VALVE SIZE		SEAL MATERIALS		CONSTRUCTION	
38	316L MATERIAL - CLAMP ENDS	K45	K45MP	05	1/2	V	3-A & FDA FKM	A	CONCENTRIC TYPE - STANDARD DISC
39	316L MATERIAL - WELD ENDS			07	3/4			E	ECCENTRIC TYPE - STANDARD DISC
				10	1				
				15	1-1/2				
				20	2				
				25	2-1/2				
				30	3				
				40	4				
				60	6				

Note: For pharmaceutical and biotech applications, please see literature for high purity check valves.



Always Giving You  
Top of the Line Service  
and Quality

Contact your Top Line Representative for Assistance

Office: P.O. Box 264 · Bradford, PA 16701

Plant: 21 Valley Hunt Drive · Lewis Run, PA 16738

800-458-6095

814-362-4626

Fax: 814-362-4453

**Top Line** is a leading supplier of sanitary stainless steel process equipment. Serving the food, beverage, dairy, pharmaceutical, biotechnological and personal care industries. For over 50 years we've provided our customers with exceptional customer service and quality products. We are committed to meeting the fastest delivery, new product development and application engineering to meet all our customer's needs with our extensive inventory and expert sales team.

**Top Line** specializes in stainless steel materials – type 304 and 316L. Our modern, well equipped manufacturing facilities are staffed by skilled and dedicated craftsmen. Consistently meeting important tolerances and finish specifications is of primary concern to us. Before any products leave our plant they are subjected to rigid quality assurance checks.

**Top Line** should always be considered your first choice for both standard and custom fabricated stainless steel products.

## Limited Warranty

Top Line Process Equipment Company products are warranted to be free of defects in material or workmanship for a period of one year from date of shipment. Warranty covers those Top Line products used in an approved installation and maintained in strict accordance with recognized standard industry practice. If, after properly authorized return, Top Line determines that products are defective, Top Line may at its option, repair or replace such defective products.

Top Line shall not be liable for consequential, indirect or incidental damages. The above warranty is in lieu of all other warranties, expressed or implied.

[www.toplineonline.com](http://www.toplineonline.com)