



TOP-FLO® T45MP Check Valves



Stainless Steel Flow Control Equipment for the
Food, Beverage, Dairy, Cosmetics, Pharmaceutical,
Biotechnology, and Electronics Processing Industries

www.toplineonline.com

TOP-FLO® T45 Check Valves

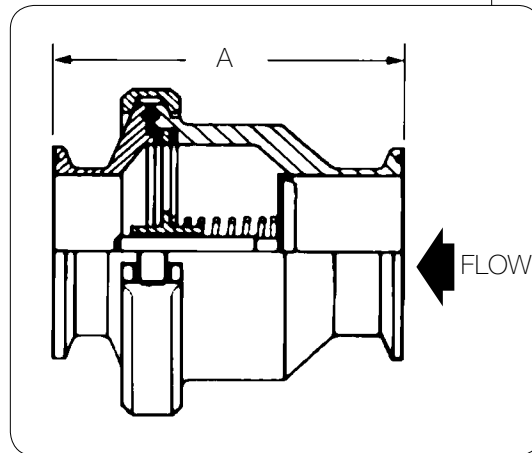
This finely crafted 316L stainless steel check valve offers maximum quality. With a unique clamp design, a simple twist of the wing nut permits quick disassembly without tools. The stainless steel spring in this superior valve assures positive closure and smooth operation. This valve is designed for vertical as well as horizontal applications.

FEATURES

- Suitable for C.I.P.
- Operating pressure to 150 psi
- Temperature from 30°F min. to 225°F max
- Standard end connection - clamp type, (butt-weld & TI-Line upon request)
- Guide finger disc available upon request
- Standard seals - FDA FKM (EPDM & other elastomers upon request)
- Internal finish - 25 to 30Ra average (other finished available upon request)
- Material test reports provided upon request
- Eccentric type available upon request
- For steam applications consult factory
- Cracking pressure 1/2 -1 PSIG

SIZE	A	STOCK NO.
1/2	3-1/2	384505VA
3/4	3-1/2	384507VA
1	4-1/8	384510VA
1-1/2	4-9/16	384515VA
2	5-1/16	384520VA
2-1/2	5-3/8	384525VA
3	6-1/8	384530VA
4	8-1/8	384540VA
6	8-1/8	384560VA

T45MP
Standard Disc
Type Check
Valves (3A)



SIZE	A	STOCK NO.
1/2	3-1/2	N/A
3/4	3-1/2	N/A
1	4-1/8	384510GFE
1-1/2	4-9/16	384515GFE
2	5-1/16	384520GFE
2-1/2	5-3/8	384525GFE
3	6-1/8	384530GFE
4	8-1/8	384540GFE
6	8-1/8	384560GFE

T45MP
Guide Finger
Disc Type
Check Valves



... the source for
all your product needs
in the process industries

Contact your Top Line Representative for Assistance
Office: P.O. Box 264 · Bradford, PA 16701

Plant: 21 Valley Hunt Drive · Lewis Run, PA 16738

Phone: 800-458-6095

814-362-4626

Fax: 814-362-4453