



TOP-FLO® Stainless Steel Canister Actuator



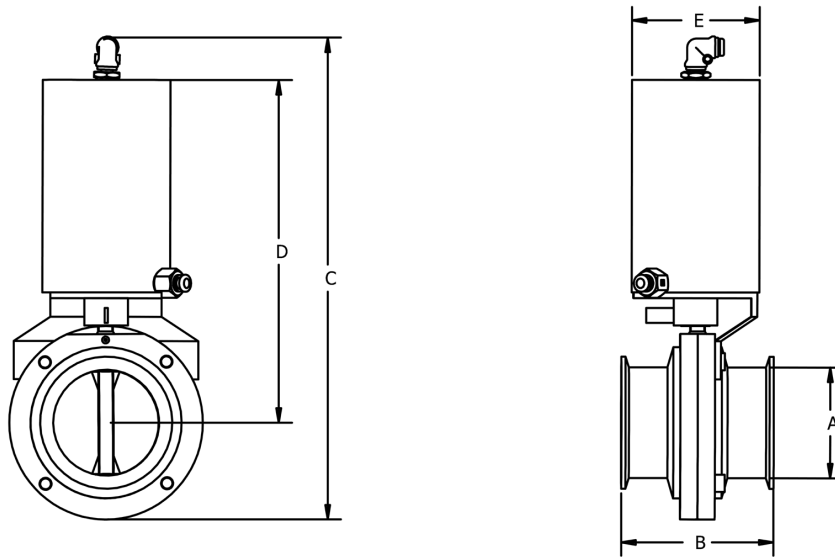
Advanced Automation Solution
For High Purity Industries

www.toplineonline.com

TOP-FLO® Stainless Steel Canister Actuator

TOP-FLO® Stainless Steel Canister Actuator for our butterfly valves are constructed of a 304SS shell with o-ring sealed, pre-lubricated internals for a long service life. Available for valves sizes 1" – 4".

- 1/8" FNPT x 1/4" OD air connections for poly tube.
- Stainless steel brackets & fasteners to withstand external washdown environments
- Dual stacked coil springs that render reliable output torques to ensure valve closure
- Visual indication is located on the coupler for easy valve position confirmation
- Actuator operating pressure - 80 psi
- Air volume - 54 cubic inches
- Canister actuator for use on butterfly valves only



STAINLESS STEEL ACTUATED BUTTERFLY VALVE CLAMP END				
(A) BFV DIA.	(B) FACE TO FACE	(C) OVERALL LENGTH	(D) CENTER TO FACE	(E) CANISTER DIA.
1.0	3.50	10.51	7.95	3.46
1.5	3.50	11.02	8.17	3.46
2.0	3.75	11.62	8.51	3.46
2.5	3.81	12.31	8.87	3.46
3.0	4.13	13.06	9.28	3.46
4.0	4.81	14.15	9.73	3.46



... the source for
all your product needs
in the process industries

Contact your Top Line Representative for Assistance
Office: P.O. Box 264 · Bradford, PA 16701
Plant: 21 Valley Hunt Drive · Lewis Run, PA 16738
Phone: 800-458-6095
814-362-4626
Fax: 814-362-4453