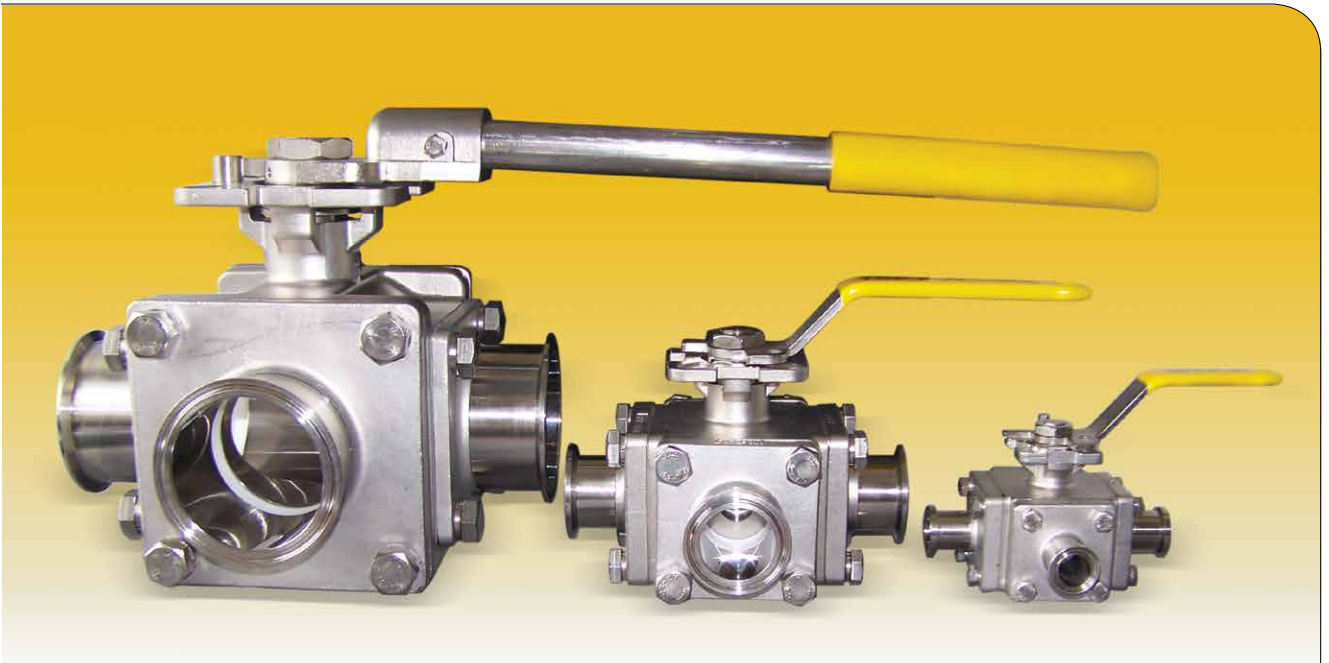




TOP-FLO[®] 3-Way Ball Valves



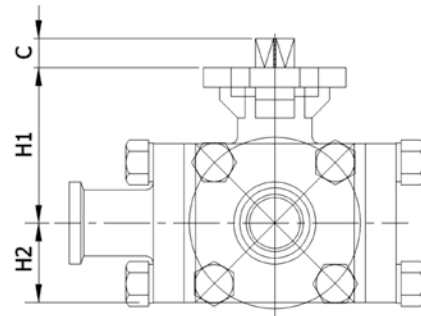
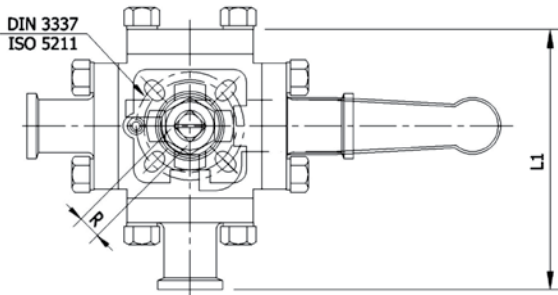
Advanced Automation Solution
For High Purity Industries

www.toplineonline.com

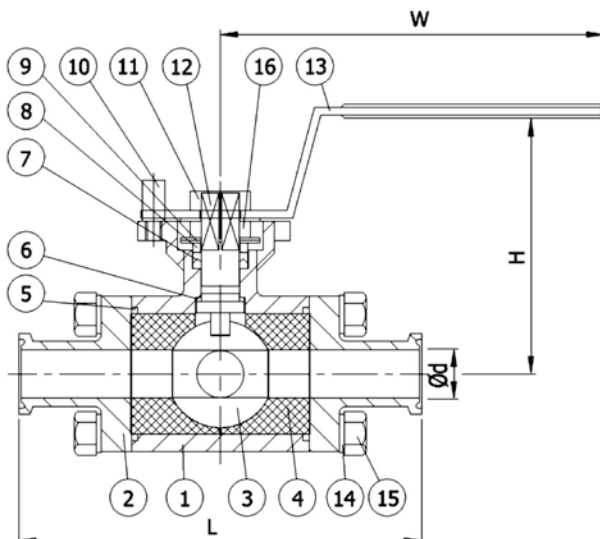
Features & Benefits

- Meets 3-A, FDA, USDA requirements
- PTFE Cavity Filler, fully encapsulated
- Locking device handle
- ISO-5211 direct mounting pad standard on all valves. Eliminates the need for brackets and couplers
- Investment cast stainless steel CF8M
- Repair kits are available
- Surface finish ID: 25-30Ra
- Standard with clamp ends, other ends available
- Ball: T-Port or L-Port
- Sizes: 1/2" -4"

Dimensions

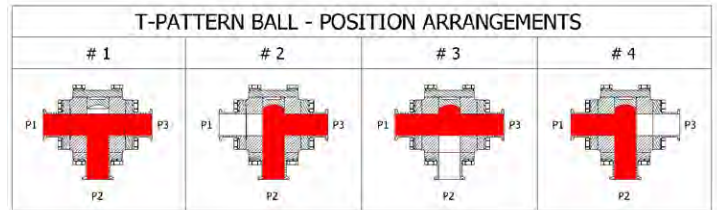
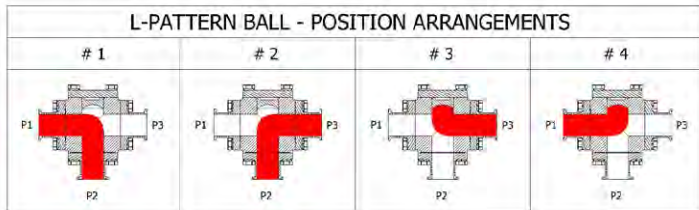
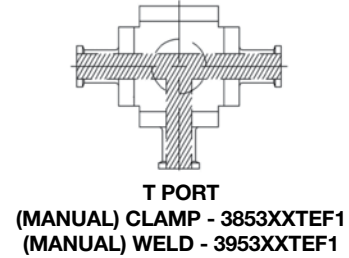


| DIMENSION (INCHES) | | | | | | | | | | | | |
|--------------------|-----|-----------|------|------|------|------|-------|------|------|------|------------|------------------|
| SIZE | DN | ISO-5211 | W | H | H1 | C | L | Ød | L1 | H2 | R | TORQUE IN/LBS |
| 1/2" | 15 | F03 / F04 | 4.76 | 3.11 | 1.75 | 0.35 | 4.65 | 0.37 | 3.59 | 0.93 | 0.35(9MM) | 40 |
| 3/4" | 20 | F03 / F04 | 4.76 | 3.25 | 1.89 | 0.35 | 5.00 | 0.62 | 3.86 | 1.02 | 0.35(9MM) | 52 |
| 1" | 25 | F04 / F05 | 5.39 | 3.58 | 2.32 | 0.43 | 6.01 | 0.87 | 4.62 | 1.20 | 0.43(11MM) | 104 |
| 1-1/2" | 40 | F05 / F07 | 7.17 | 4.21 | 2.83 | 0.55 | 6.89 | 1.37 | 5.47 | 1.57 | 0.55(14MM) | 162 |
| 2" | 50 | F05 / F07 | 7.17 | 4.61 | 3.23 | 0.55 | 7.48 | 1.87 | 6.29 | 1.97 | 0.55(14MM) | 231 |
| 2-1/2" | 65 | F07 / F10 | 14.6 | 4.27 | 3.94 | 0.67 | 8.98 | 2.37 | 6.88 | 2.45 | 0.67(17MM) | 576 |
| 3" | 80 | F10 / F12 | 15.8 | 5.28 | 4.94 | 0.91 | 10.24 | 2.87 | 7.96 | 2.91 | 0.87(22MM) | 944 |
| 4" | 100 | F10 / F12 | 15.8 | 5.67 | 5.33 | 0.91 | 12.52 | 3.83 | - | 3.31 | 0.87(22MM) | 1151 |



| MATERIAL OF CONSTRUCTION | | | |
|--------------------------|---------------|-----------|-----|
| ITEM | PARTS | MATERIAL | QTY |
| 1 | BODY | A351-CF8M | 1 |
| 2 | CAP | A351-CF8M | 4 |
| 3 | BALL | A351-CF8M | 1 |
| 4 | SEAT | PTFE | 4 |
| 5 | GASKET | PTFE | 2 |
| 6 | THRUST WASHER | PTFE | 1 |
| 7 | STEM PACKING | PTFE | 1 |
| 8 | RING | AISI 316 | 1 |
| 9 | BEVEL WASHER | AISI 301 | 2 |
| 10 | STOP PIN | AISI 316 | 1 |
| 11 | NUT | AISI 304 | 1 |
| 12 | STEM | AISI 316 | 1 |
| 13 | HANDLE | AISI 304 | 1 |
| 14 | SPRING WASHER | AISI 304 | 16 |
| 15 | BOLT | AISI 304 | 16 |
| 16 | SPACER | AISI 304 | 1 |

TECHNICAL INFORMATION



3-Way Ball Valve Pressure and Temperature

PRESSURE

Hydrostatic testing is done at 1.5 times the standard working pressure of 200 PSI.

Low-Pressure Closure Test - between 60-100 PSI Air*

(*Higher pressure tests of resilient-seated valves may degrade subsequent sealing performances in low-pressure service.)

TEMPERATURE:

Working Temperature (0°F - 300°F)



ORDERING INFORMATION

Automated Part Number Matrix

| MATERIAL | END CONNECTIONS | VALVE SERIES | POSITION CODE | SIZE | SEAT MATERIAL | AUTOMATION TYPE | | | |
|----------|-----------------|--------------|-------------------|----------------------------------|----------------------------------|-----------------|-------------------------------|----|-------------------------------|
| 3 | 316SS | 8 C X C X C | 5 T-PATTERN 3-WAY | A1* | #1 - REST / #2 - AUTO (CCW TURN) | 05 1/2 | P CAVITY FILLED PTFE SEATS | A1 | DOUBLE ACTING - 80 PSI SUPPLY |
| | 9 | BW X BW X BW | 6 L-PATTERN 3-WAY | B1 | #2 - REST / #3 - AUTO (CCW TURN) | 07 3/4 | | A2 | DOUBLE ACTING - 60 PSI SUPPLY |
| | | | C1 | #3 - REST / #4 - AUTO (CCW TURN) | 10 1 | S1 | SPRING RETURN - 80 PSI SUPPLY | | |
| | | | D1 | #4 - REST / #1 - AUTO (CCW TURN) | 15 1-1/2 | S2 | SPRING RETURN - 60 PSI SUPPLY | | |
| | | | E2 | #1 - REST / #4 - AUTO (CW TURN) | 20 2 | E1 | 115VAC - 1PH, NEMA 4,4X,6 | | |
| | | | F2* | #2 - REST / #1 - AUTO (CW TURN) | 25 2-1/2 | E2 | 24VDC, NEMA 4,4X,6 | | |
| | | | G2 | #3 - REST / #2 - AUTO (CW TURN) | 30 3 | E3 | 220VAC - 1PH, NEMA 4,4X,6 | | |
| | | | H2 | #4 - REST / #3 - AUTO (CW TURN) | 40 4 | | | | |

PART NUMBER EXAMPLE: 385D115PS2

(316SS CLAMP, T-PATTERN 3-WAY TOP-FLO® SANITARY BALL VALVE, D1 POSITION, 1-1/2", CAVITY FILLED PTFE SEATS, SPRING RETURN)

* POSITION CODES A1 & F2 ARE STANDARD ARRANGEMENTS FOR VALVE SERIES 6 (L-PATTERN 3-WAY) ALTERNATIVE POSITIONS & 180° AUTOMATION UPON REQUEST



Always Giving You
Top of the Line Service
and Quality

Contact your Top Line Representative for Assistance

Office: P.O. Box 264 · Bradford, PA 16701

Plant: 21 Valley Hunt Drive · Lewis Run, PA 16738

800-458-6095

814-362-4626

Fax: 814-362-4453

Top Line is a leading supplier of sanitary stainless steel process equipment. Serving the food, beverage, dairy, pharmaceutical, biotechnological and personal care industries. For over 50 years we've provided our customers with exceptional customer service and quality products. We are committed to meeting the fastest delivery, new product development and application engineering to meet all our customer's needs with our extensive inventory and expert sales team.

Top Line specializes in stainless steel materials – type 304 and 316L. Our modern, well equipped manufacturing facilities are staffed by skilled and dedicated craftsmen. Consistently meeting important tolerances and finish specifications is of primary concern to us. Before any products leave our plant they are subjected to rigid quality assurance checks.

Top Line should always be considered your first choice for both standard and custom fabricated stainless steel products.

Limited Warranty

Top Line Process Equipment Company products are warranted to be free of defects in material or workmanship for a period of one year from date of shipment. Warranty covers those Top Line products used in an approved installation and maintained in strict accordance with recognized standard industry practice. If, after properly authorized return, Top Line determines that products are defective, Top Line may at its option, repair or replace such defective products.

Top Line shall not be liable for consequential, indirect or incidental damages. The above warranty is in lieu of all other warranties, expressed or implied.

www.toplineonline.com