



## TOP-FLO® Butterfly Valve



Stainless Steel Flow Control Equipment for the  
Food, Beverage, Dairy, Cosmetics, Biotechnology,  
Pharmaceutical and Electronics Processing Industries

[www.toplineonline.com](http://www.toplineonline.com)

# TOP-FLO® Standard Butterfly Valves

TOP-FLO® Butterfly Valves stand above others in sanitary and fine chemical fields. The units incorporate advanced design characteristics with the finest craftsmanship and construction. The value they afford is unsurpassed.

TOP-FLO® Butterfly Valves underwent extensive testing and field evaluation prior to introduction. Experience and contributions from numerous technical and practical sources have enabled Top Line to assume a deserved leadership position.



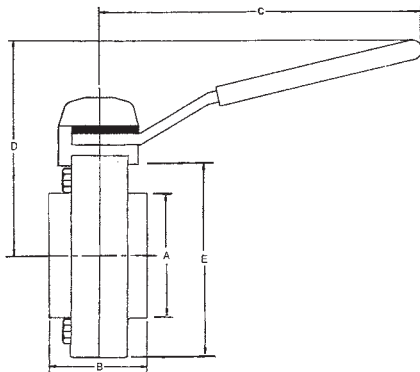
## MECHANICAL SPECIFICATIONS

- Sizes - 1", 1-1/2", 2", 2-1/2", 3", 4", 6", 8"
- Materials – 304 or 316L stainless steel
- Seals available – Platinum Cured Silicone (standard), EPDM and FKM
- Connections – clamp, butt weld and bevel seat (optional). Other connections available upon request
- Four Position Spring Loaded Flat Handle – open, closed and two intermediate settings.
- Pressure – 1" thru 4" to 145 PSI @ 68° F (20° C)  
6" to 90 PSI @ 68°F (20 C)
- Temperature range - +15° to 200° F (-10° to 95° C)

## IMPORTANT FEATURES

- 360° Installation - valve may be installed in any position
- Design minimizes turbulence and maximizes fluid flow through
- Plastic bushings assure extra smooth disc action
- Easy Field Service - few parts - no special tools
- Self Draining
- Wetted Surfaces have sanitary finish
- Air and Electric Actuators available
- Variety of Controls available
- USDA approved

## Dimensional Specifications



"A"		"B"						"C"		"D"		"E"	
SIZE		WELD		CLAMP		BEVEL		W / C / B		W / C / B		W / C / B	
INCH	CM	INCH	CM	INCH	CM	INCH	CM	INCH	CM	INCH	CM	INCH	CM
1	2.540	1-7/8	4.763	3-1/2	8.890	3-1/2	8.890	7	17.78	3-7/8	9.843	3-1/8	7.937
1-1/2	3.810	1-7/8	4.763	3-1/2	8.890	3-5/16	8.414	7	17.78	4-1/8	10.478	3-1/8	7.937
2	5.080	2-1/16	5.245	3-3/4	9.525	3-1/2	8.890	7	17.78	4-3/8	11.113	3-7/8	9.906
2-1/2	6.350	2-1/8	5.397	3-13/16	9.684	3-13/16	9.684	7-1/2	19.05	4-5/8	11.748	4-5/8	11.684
3	7.620	2-7/16	6.191	4-1/8	10.478	4-1/4	10.795	7-1/2	19.05	4-7/8	12.383	5-3/16	13.208
4	10.160	3-1/8	7.937	4-13/16	12.224	5-3/16	13.176	7-1/2	19.05	5-3/8	13.653	6-11/16	17.018
6	15.240	3-1/8	7.937	6-1/8	15.558	N/A	N/A	7	17.78	6-3/8	16.193	8-1/2	21.600

"A" - Valve Size · "B" - Face to Face · "C" - Handle - Center to End · "D" - Center to Top of Handle · "E" - Body Diameter

Other Connections Available Upon Request Exotic Materials Available



M9 Lockable  
Trigger Handle

Replacement Seals  
Standard: Platinum Cured Silicone  
Optional: FKM or EPDM



... the source for  
all your product needs  
in the process industries

Contact your Top Line Representative for Assistance  
Office: P.O. Box 264 · Bradford, PA 16701  
Plant: 21 Valley Hunt Drive · Lewis Run, PA 16738  
Phone: 800-458-6095  
814-362-4626  
Fax: 814-362-4453

# TOP-FLO® Standard Butterfly Valves Part Number Matrix

VALUE SERIES	Manual Butterfly Valve - Part Number Matrix							
	Body/Disc Material & End Connections		Valve Size		Seal Material		Manual Handle Type	
	38301	316L MATERIAL - CLAMP ENDS	10	1	EP	EPDM	M12	12-POSITION SS TRIGGER HANDLE W/ BLUE PLASTIC HANDLE
			15	1-1/2				<b>NOTE:</b> AUTOMATION IS NOT AVAILABLE FOR VALUE SERIES BFV
			20	2				
			25	2-1/2				
			30	3				
			40	4				

STANDARD SERIES	Manual Butterfly Valve - Part Number Matrix							
	Body/Disc Material & End Connections		Valve Size		Seal Material		Manual Handle Type	
	32201	304 MATERIAL - CLAMP ENDS	05	1/2	S	Silicone	--	4-POSITION FLAT SS HANDLE W/ YELLOW SLEEVE
	35128	304 MATERIAL - WELD ENDS	07	3/4	EP	EPDM	M9	9-POSITION LOCKABLE TRIGGER HANDLE (304SS)
	38201	316L MATERIAL - CLAMP ENDS	10	1	V	FKM	PH4	4-POSITION PULL HANDLE W/ BLACK KNOB
	39128	316L MATERIAL - WELD ENDS	15	1-1/2				<b>NOTES:</b> M9 9-POSITION HANDLES ARE FOR SIZES 1" - 4" ONLY 8" VALVE ONLY AVAILABLE IN CLAMP ENDS / EPDM SEAL / PH4 HANDLE PH4 HANDLE NOT AVAILABLE FOR 6" VALVE
			20	2				
			25	2-1/2				
			30	3				
			40	4				
			60	6				
			80	8				

Part Number Example:  
 3820125SM9  
 316L Material-Clamp Ends, 2-1/2", P/C Silicone  
 9-Position Lockable Trigger Handle (304SS)

STANDARD SERIES	Automated Butterfly Valve - Part Number Matrix								
	Body/Disc Material & End Connections		Series	Valve Size		Seal Material		Automation Type	
	32	304 MATERIAL - CLAMP ENDS	S			S	Silicone	A1	TA SERIES DOUBLE ACTING - 80 PSI AIR SUPPLY
	35	304 MATERIAL - WELD ENDS				E	EPDM	A2	TA SERIES DOUBLE ACTING - 60 PSI AIR SUPPLY
	38	316L MATERIAL - CLAMP ENDS		10	1	V	FKM		
	39	316L MATERIAL - WELD ENDS		15	1-1/2				
				20	2			S1	TA SERIES SPRING RETURN - 80 PSI AIR SUPPLY
				25	2-1/2			S2	TA SERIES SPRING RETURN - 60 PSI AIR SUPPLY
				30	3				
				40	4				
				60	6			E1	WE SERIES - 115VAC - NEMA 4,4X,6 - OPEN/CLOSE
				80	8			E2	WE SERIES - 24VDC - NEMA 4,4X,6 - OPEN/CLOSE
								E3	WE SERIES - 220VAC - NEMA 4,4X,6 - OPEN/CLOSE
								C1	SS CANISTER - SPRING RETURN - 80 PSI AIR SUPPLY
								C2	SS CANISTER - DOUBLE ACTING - 80 PSI AIR SUPPLY
								EM1	WEM SERIES - 115VAC - NEMA 4,4X,6 - 4-20mA MODULATING
								EM2	WEM SERIES - 24VDC - NEMA 4,4X,6 - 4-20mA MODULATING
								EM3	WEM SERIES - 220VAC - NEMA 4,4X,6 - 4-20mA MODULATING

Part Number Example:  
 35530ES1  
 304 Material-Weld Ends, Series, 3", EPDM,  
 TA Series Spring Return - 80 PSI Air Supply

**NOTES:**  
 ACTUATOR OPTION CODES C1 & C2 ARE FOR VALVE SIZES 1" - 4" ONLY  
 (SS CANISTER TYPE ACTUATOR)

## Premium - Definox Butterfly Valves

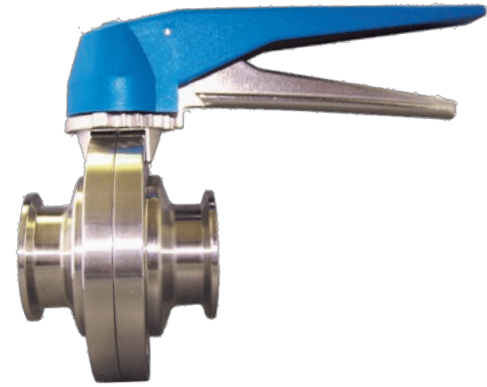
- Sizes - 1", 1-1/2", 2-1/2", 3", 4", 6"
- Material: 316L SS
- Seal Material: 1" - 2" HNBR, EPDM, or FKM, 2-1/2" - 6" Silicone, EPDM, or FKM
- Connections: clamp or butt weld
- For part numbers consult factory

# TOP-FLO<sup>®</sup> Value Butterfly Valve

TOP-FLO<sup>®</sup> value style manual butterfly valves provide unsurpassed quality in a less expensive and easy to use configuration. Ideally suited for both the beer and wine industries, the value style can also be used for other process lines within the food, dairy, and beverage industries.

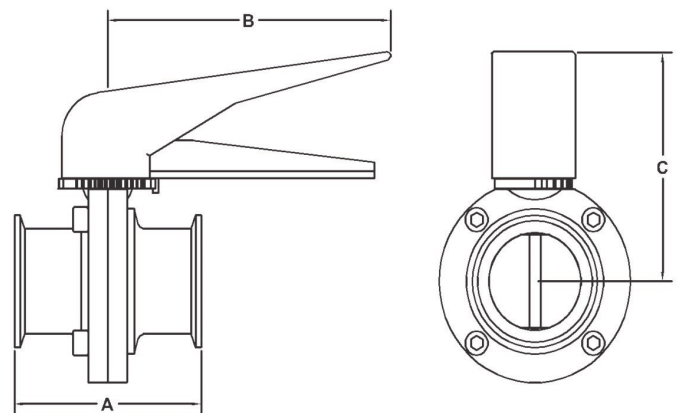
## Features:

- Lightweight thermoplastic handle SS trigger
- 316L construction for added corrosion resistance
- FDA EPDM seal to withstand elevated temperatures and chemical attack
- Plastic stem bushings provide smooth operation
- ID surface finish meets or exceeds 3-A requirements



## Mechanical Specifications:

- Sizes: 1", 1-1/2", 2", 2-1/2", 3", 4"
- Connections: Clamp end only
- Handle: 12-position trigger type
- Material: 316L (Body & Disc)
- Seal: FDA conforming EPDM
- Pressure Rating: 100PSI @ 68°F  
(7bar @ 20°C)
- Temperature: 15°F - 194°F  
(-10° C - 90°C)



Size	A	B	C	Seal Material	316L Stock No.
1	2.60	5.75	3.50	EPDM	3830110EPM12
1-1/2	2.60	5.75	3.50	EPDM	3830115EPM12
2	2.76	5.75	3.75	EPDM	3830120EPM12
2-1/2	3.15	5.75	4.00	EPDM	3830125EPM12
3	3.15	5.75	4.50	EPDM	3830130EPM12
4	3.46	5.75	5.25	EPDM	3830140EPM12