



TOP-FLO[®] Sanitary Ball Check Valve



Stainless Steel Flow Control Equipment for the
Food, Beverage, Dairy, Cosmetics, Biotechnology,
Pharmaceutical and Electronics Processing Industries

www.toplineonline.com

TOP-FLO[®] Sanitary Ball Check Valve

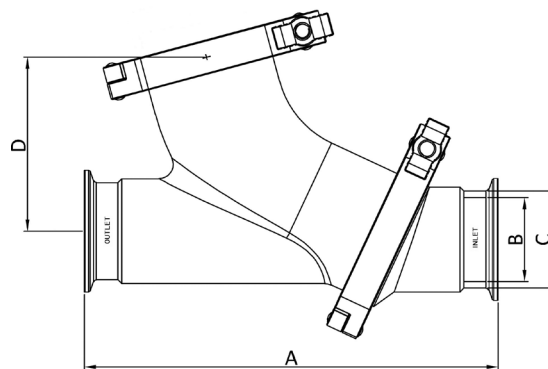
TOP-FLO[®] sanitary ball check valves are used to prevent the backflow of fluid in sanitary systems and to minimize pressure drop across the valve. The vertical installation orientation of TOP-FLO[®] ball check valves utilizes the fluid head pressure behind the ball when there is zero flow and valve is in the closed position to ensure positive shut off across the elastomer seat.

FEATURES:

- 3-A Certified
- Replaceable elastomer seat due to 2-pc design
- Suitable for both process and CIP fluids
- Wetted construction in 316L material
- Standard size seat & body clamp

SPECIFICATIONS:

- End Connections: Clamp
- Seat & Seal Material: FDA FKM (Standard)
FDA EPDM (Optional)
- Ball Material: FDA Virgin PTFE
- Surface Finish: ID: 25-30R_a
OD: 32R_a
- Maximum Operating Pressure: 150 PSIG
- Operating Temperature: 30° F Min.
200° F Max.



Dimensions

VALVE SIZE	A	B	C	D	CLAMP SIZES	
					SEAT CLAMP	BODY CLAMP
1-1/2	7.50	1.37	1.50	3.30	2.00	2.00
2	8.50	1.87	2.00	3.90	2.50	2.50
2-1/2	10.00	2.37	2.50	4.50	3.00	3.00
3	11.50	2.87	3.00	5.30	4.00	4.00

Part Number Matrix

CONNECTIONS / MATERIAL		VALVE TYPE	VALVE SIZE		SEAT/SEAL MATERIAL		BALL MATERIAL		
38	CLAMP ENDS - 316L CONSTRUCTION	4	45BYMP	15	1-1/2	F	FDA FKM	P	FDA PTFE
				20	2	E	FDA EPDM		
				25	2-1/2				
				30	3				

Kits and Parts

VALVE SIZE	SEAL KIT		REPAIR KIT		ADDITIONAL REPLACEMENT PARTS			
	FKM	EPDM	FKM	EPDM	COMPONENT PART #			
	PART #	PART #	PART #	PART #	PTFE BALL ONLY	SEAT CLAMP	BODY CLAMP	BODY END CAP
1-1/2	38415FP-SK	38415EP-SK	38415FP-RK	38415EP-RK	38415BALL-P	3299920	3299920	389820
2	38420FP-SK	38420EP-SK	38420FP-RK	38420EP-RK	38420BALL-P	3299925	3299925	389825
2-1/2	38425FP-SK	38425EP-SK	38425FP-RK	38425EP-RK	38425BALL-P	3299930	3299930	389830
3	38430FP-SK	38430EP-SK	38430FP-RK	38430EP-RK	38430BALL-P	3299940	3299940	389840

SEAL KITS INCLUDE
(1) ELASTOMER/CF8M SEAT
(1) ELASTOMER BODY GASKET

REPAIR KITS INCLUDE
(1) VIRGIN PTFE BALL
(1) ELASTOMER/CF8M SEAT
(1) ELASTOMER BODY GASKET



. . . the source for
all your product needs
in the process industries

Contact your Top Line Representative for Assistance
Office: P.O. Box 264 · Bradford, PA 16701
Plant: 21 Valley Hunt Drive · Lewis Run, PA 16738
Phone: 800-458-6095
814-362-4626
Fax: 814-362-4453