

Your Advanced Automation Solution



Features

- Maintain and change function of the actuator head WITHOUT opening the sterile pipeline
- 360° swivel feature for flexible air line installation
- Flips for easy function changes
- Standard stainless steel mounting base
- Black Polyamide power head (stainless steel optional)

Benefits to you!

- **Time Savings**
Process stays sealed for actuator servicing - no resterilization and reduced revalidation
- **Less Spare Parts Inventory**
- **More User Flexibility with a Modular Design**
- **Stainless Steel Base Standard for all Valve Configurations**
- **No Special Tools** for disassembly & reassembly
- **Long Cycle Life**
(1 million cycles minimum)
- **Specifically Designed** for cGMP manufacturing settings
- **Allows for High Sterilization Temperature**

TOP LINE
PROCESS EQUIPMENT COMPANY

Contact us today for a quote!

Ph: 800-458-6095

or 814-362-4626

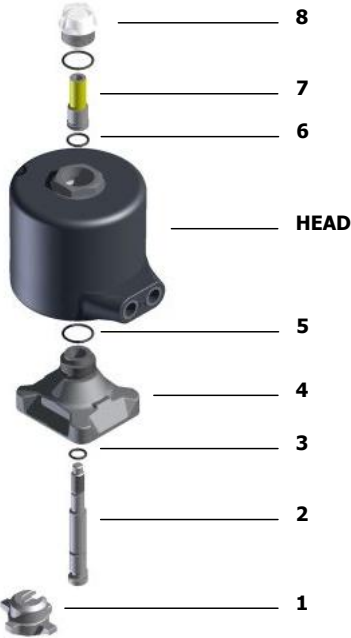
Fax: 814-362-4453

Email: topline@toplineonline.com

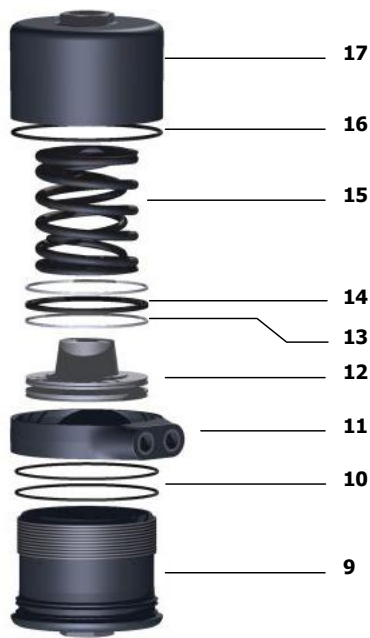
Website: www.toplineonline.com

**NEW FOR 2010
THE ONLY ONE
OF ITS KIND**

Actuator Exploded View



Head Exploded View



No.	Qty	ITEM	MATERIAL	REPLACEMENT KIT
1	1	COMPRESSOR	SS ASTM A743 CF8	-
2	1	STEM	SS ASTM A276 316	-
3	1	STEM O-RING	NITRILE	INCLUDED
4	1	BONNET	SS ASTM A351 CF8	-
5	2	BONNET/SIGHT GLASS O-RING	NITRILE	INCLUDED
6	1	LOCKNUT O-RING	NITRILE	INCLUDED
7	1	LOCKNUT	SS ASTM A582 303	-
8	1	SIGHT GLASS	POLYCARBONATE	INCLUDED
9	1	HOUSING	GLASS REINFORCED PA	-
10	2	SWIVEL RING O-RING	NITRILE	INCLUDED
11	1	SWIVEL RING	GLASS REINFORCED PA	-
12	1	PISTON	ALUMINIUM	-
13	2	GUIDING RING	PTFE	INCLUDED
14	1	PISTON SEAL	NITRILE	INCLUDED
15	1	SPRING SET	Cr-Si STEEL ASTM A401	-
16	1	CAP O-RING	NITRILE	INCLUDED
17	1	CAP	GLASS REINFORCED PA	-



Contact us today for a quote!

Ph: 800-458-6095 or 814-362-4626 • Fax: 814-362-4453

Email: topline@toplineonline.com • Website: www.toplineonline.com